

# HSD05 DSSI-to-SCSI Bus Adapter

---

## Installation Guide for BA400-Based VAX 4000 Systems

Order Number: EK-HSDD5-IN. A01

---

**First Printing, June 1994**

Digital Equipment Corporation makes no representations that the use of its products in the manner described in this publication will not infringe on existing or future patent rights, nor do the descriptions contained in this publication imply the granting of licenses to make, use, or sell equipment or software in accordance with the description.

© Digital Equipment Corporation 1994. All Rights Reserved.

The postpaid Reader's Comments form at the end of this document request your critical evaluation to assist in preparing future documentation.

The following are trademarks of Digital Equipment Corporation: DEC, Digital, DSSI, MSCP, OpenVMS, Q-bus, RA, RZ, SA, TMSCP, TU, VAX, VAX 4000, VAX DOCUMENT, VMS, and the DIGITAL logo.

All other trademarks and registered trademarks are the property of their respective holders.

**FCC NOTICE** The equipment described in this manual generates, uses, and may emit radio frequency energy. The equipment has been type tested and found to comply with the limits for a Class A computing device pursuant to Subpart J of Part 15 of FCC Rules, which are designed to provide reasonable protection against such radio frequency interference when operated in a commercial environment. Operation of this equipment in a residential area may cause interference, in which case the user at his own expense may be required to take measures to correct the interference.

S2538

This document was prepared using VAX DOCUMENT Version 2.1.

---

# Contents

<b>Preface</b> .....	v
<b>1 HSD05 Adapter Preparation</b>	
1.1 Unpacking the HSD05 Adapter .....	1-1
1.2 Environmental Stabilization .....	1-2
1.3 HSD05 Adapter Switches, Jumpers, and Indicators .....	1-3
1.4 Setting the Device Configuration Switches .....	1-6
1.4.1 Selecting and Setting the DSSI ID .....	1-7
1.4.2 Selecting and Setting the SCSI ID .....	1-8
<b>2 Installing the HSD05–JA/JF Adapter in a Pedestal Enclosure</b>	
2.1 Before You Install the Kit .....	2-2
2.2 HSD05 Adapter Installation Procedure .....	2-2
2.2.1 Removing Existing Cables .....	2-2
2.2.2 Installing the New DSSI and SCSI Cables .....	2-9
2.2.3 Installing the HSD05 Adapter .....	2-14
<b>3 Installing the HSD05–JG/JH Adapter in a Rackmount Enclosure</b>	
3.1 Before You Install the Kit .....	3-2
3.2 HSD05 Adapter Installation Procedure .....	3-2
3.2.1 Removing the VAX 4000 from Cabinet .....	3-2
3.2.2 Removing the Front Bezel .....	3-3
3.2.3 Removing the ISEs .....	3-3
3.2.4 Removing Existing Cables .....	3-5
3.2.5 Installing the New DSSI and SCSI Cables .....	3-8
3.2.6 Installing the HSD05 Adapter .....	3-10
3.2.7 Completing the Installation .....	3-12

## A Selecting Device Numbers for Multiple DSSI Bus Configurations

### Figures

1-1	HSD05 Adapter Module Layout . . . . .	1-4
2-1	Opening Enclosure Doors . . . . .	2-3
2-2	ISE Removal . . . . .	2-5
2-3	Panel Connectors . . . . .	2-7
2-4	Removing Cable Connectors from the I/O Panel . . . . .	2-9
2-5	Installing the New DSSI Cable . . . . .	2-11
2-6	Installing the New SCSI Cable . . . . .	2-13
2-7	Connecting the Cables to the HSD05 Adapter . . . . .	2-15
3-1	Removal/Breakdown of the VAX 4000 Rackmount System . . . . .	3-3
3-2	ISE Removal . . . . .	3-4
3-3	Preparing to Remove Cables . . . . .	3-6
3-4	DSSI Bulkhead . . . . .	3-7
3-5	Cable Routing . . . . .	3-9
3-6	Installing HSD05 Adapter . . . . .	3-11

### Tables

1	Related Documentation . . . . .	vii
1-1	Thermal Stabilization Specifications . . . . .	1-3
1-2	HSD05 Adapter Jumpers . . . . .	1-5
1-3	HSD05 Adapter Device Configuration Switchpack (SW2) Sections . . . . .	1-5
1-4	HSD05 Adapter Indicators . . . . .	1-6
1-5	HSD05 Adapter DSSI ID Switch Settings . . . . .	1-7
1-6	HSD05 Adapter SCSI ID Switch Settings . . . . .	1-8

---

# Preface

## Adapter Overview

BA400-based VAX 4000 systems with the HSD05 adapter can run both Digital Storage Subsystem Interconnect (DSSI) and/or Small Computer Systems Interface (SCSI) drives. The HSD05 adapter provides current BA400-based VAX 4000 Systems with SCSI capability for up to seven SCSI or SCSI-2 disk and CD-ROM drives, or one tape drive and five disk and CD-ROM drives.

## About This Guide

This guide describes how to install the HSD05 DSSI-to-SCSI adapter in BA400-based VAX 4000 systems. Physically, the HSD05 adapter is a daughterboard mounted to a Q-bus module that is installed in slot 12 of the enclosure. New cables are installed (replacing the existing internal DSSI and SCSI cables), connecting the system to the SCSI and DSSI connectors on the HSD05 adapter.

## Intended Audience

This information is intended for Digital services personnel and properly trained self-maintenance customers.

## Supported Devices

The HSD05 adapter is a TMSCP/MSCP-compliant device that performs the translations required to support devices conforming to SCSI or SCSI-2 protocols. The HSD05 adapter supports the following devices in BA400-based VAX 4000 systems:

- TZ86 series cartridge tape subsystem
- TZ87 series cartridge tape subsystem
- RZ26L disk drive
- RZ28 disk drive
- RZ73 disk drive
- RZ74 disk drive
- RRD43 CD-ROM drive

## Conventions

The following terms and conventions are used in this guide:

Term or Convention	Meaning
<b>NOTE</b>	Notes provide important additional information.
<b>CAUTION</b>	Cautions provide information required to prevent damage to equipment.
Check Mark (✓)	A statement marked by a check mark indicates a special instruction related to a step.

## Related Documentation

In addition to this guide, you also need the *BA400-Series Enclosures Storage Devices Installation Procedures* manual for the procedures to install HSD05 adapter supported disk drives, tape drives and CD-ROM drives.

Part number information for this book and other documentation you may find helpful are listed in Table 1.

**Table 1 Related Documentation**

<b>Document</b>	<b>Order Number</b>
<i>BA400-Series Enclosures Storage Devices Installation Procedures</i>	EK-BA44A-IN
<i>HSD05 DSSI-to-SCSI Adapter Operation Information for BA400-Based VAX 4000 Systems</i>	EK-HSDC5-IN
<i>BA430/BA440 Enclosure Maintenance</i>	EK-348An <sup>1</sup> -MG

<sup>1</sup> *n* indicates the revision level; the latest revision level is always shipped.





---

# HSD05 Adapter Preparation

This chapter contains information and procedures for unpacking and configuring the HSD05 adapter. It also describes how to set the device configuration switches to select the DSSI and SCSI IDs for your system.

## 1.1 Unpacking the HSD05 Adapter

Observe the following when unpacking the HSD05 adapter:

- After removing the HSD05 adapter from its shipping container, inspect the adapter for any signs of external damage. Report any damage to the local carrier, and to Digital services or your local Digital sales office.
- Be sure to thermally stabilize the adapter as described in Section 1.2.
- To prevent damage from electrostatic discharge (ESD), do not touch the HSD05 adapter DSSI or SCSI connectors.

## 1.2 Environmental Stabilization

Table 1–1 specifies the time required to thermally stabilize the HSD05 adapter based on the ambient shipping temperature.

---

### CAUTION

---

Be sure to thermally stabilize the HSD05 adapter in the operating environment prior to installation or operation of the unit. Otherwise, you can damage the associated electronics when power is applied to the unit.

---

**If condensation is visible on the outside of the HSD05 adapter:**

Stabilize the adapter in the operating environment for 6 hours or until the condensation is no longer visible, whichever is longer. Do not install the HSD05 adapter until it is fully stabilized.

**If condensation is not visible on the outside of the HSD05 adapter:**

Thermally stabilize the adapter for the amount of time specified in Table 1–1.

**Table 1–1 Thermal Stabilization Specifications**

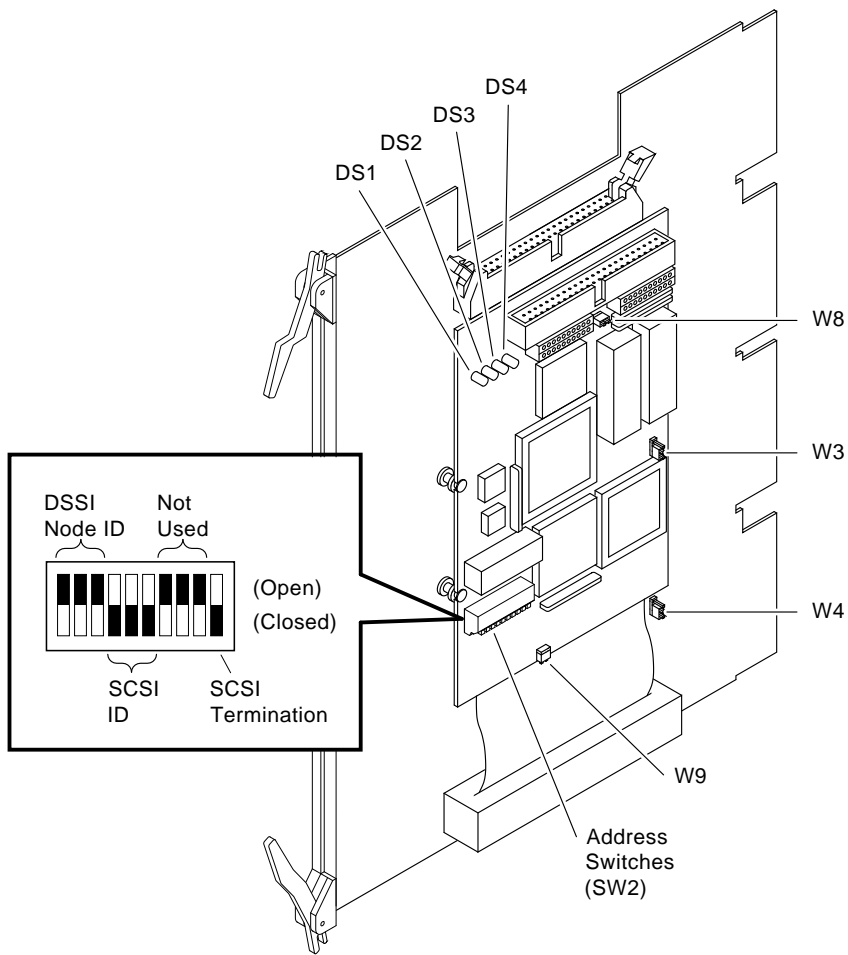
<b>Ambient Temperature Range ° C</b>	<b>Ambient Temperature Range ° F</b>	<b>Minimum Stabilization Time</b>
60 to 66	140 to 151	3 hours
50 to 59	122 to 139	2 hours
40 to 49	104 to 121	1 hour
30 to 39	86 to 103	30 minutes
18 to 29	65 to 85	None
10 to 17	50 to 64	30 minutes
0 to 9	32 to 49	1 hour
-10 to -1	14 to 31	2 hours
-20 to -11	-4 to 13	3 hours
-30 to -21	-22 to -5	4 hours
-40 to -31	-40 to -21	5 hours

### **1.3 HSD05 Adapter Switches, Jumpers, and Indicators**

Figure 1–1 shows the switches, jumpers, and indicators that are on the HSD05 adapter.

Tables 1-2, 1-3, and 1-4 list the jumper and switch settings and indicator status.

**Figure 1-1 HSD05 Adapter Module Layout**



MLO-012802

Table 1-2 lists the jumper settings for the HSD05 adapter. All jumpers are factory installed and do not have to be changed for most installations.

**Table 1–2 HSD05 Adapter Jumpers**

<b>Jumper</b>	<b>Definition</b>
W1	Reserved
W2	Reserved
W3	EPROM size
W4	Wait state
W5	Reserved
W6	Reserved
W7	Reserved
W8	DSSI terminator power supplied by module
W9	SCSI terminator power supplied by module

Table 1–3 lists the switch sections in the device configuration switchpack (SW2). Use the procedure in Section 1.4 to configure the DSSI ID and the SCSI ID. The factory default SCSI ID (or node address) is 7; the DSSI ID is 0. SW2 also has a switch that determines whether the HSD05 adapter provides termination for the SCSI bus (default = enabled).

**Table 1–3 HSD05 Adapter Device Configuration Switchpack (SW2) Sections**

<b>Section</b>	<b>Definition</b>	<b>Default</b>
SW2–1	MSB of DSSI ID	Open (DSSI ID = 0)
SW2–2	NSB of DSSI ID	Open
SW2–3	LSB of DSSI ID	Open
SW2–4	MSB of SCSI ID	Closed (SCSI ID = 7)
SW2–5	NSB of SCSI ID	Closed
SW2–6	LSB of SCSI ID	Closed
SW2–7	Spare	Open
SW2–8	Spare	Open
SW2–9	Spare	Open
SW2–10	Active SCSI termination	Closed (terminators installed)

The adapter has four indicators that show the status of the HSD05 adapter as listed in Table 1–4.

**Table 1–4 HSD05 Adapter Indicators**

<b>Indicator</b>	<b>Color</b>	<b>Status</b>
DS4	Green	Remains ON to show that termination power is applied to the SCSI bus.
DS3	Green	Remains ON to show that termination power is applied to the DSSI bus.
DS2	Red	Flashes for 15 seconds during module boot. If this indicator flashes for longer than 15 seconds, there is a device fault.
DS1	Green	Flashes during normal operation while the subsystem is booted.

## 1.4 Setting the Device Configuration Switches

This section explains how to set the device configuration switches before you install the adapter in BA400-based VAX 4000 systems.

The device configuration switchpack contains 10 switch elements, divided into DSSI ID and SCSI ID sections as shown in Figure 1–1.

### 1.4.1 Selecting and Setting the DSSI ID

Each device on the DSSI bus requires a unique device address in the range of 0 through 7. The DSSI ID is factory set to 0; you may need to change this ID to one that is currently not being used on your system.

Table 1–5 lists the DSSI ID sections of SW2 and the corresponding settings for each DSSI ID (Closed = down position; Open = up position).

**Table 1–5 HSD05 Adapter DSSI ID Switch Settings**

DSSI ID	SW2–1	SW2–2	SW2–3
0	Open	Open	Open (default)
1	Open	Open	Closed
2	Open	Closed	Open
3	Open	Closed	Closed
4	Closed	Open	Open
5	Closed	Open	Closed
6	Closed	Closed	Open
7	Closed	Closed	Closed

Use the following procedure to set the DSSI ID:

1. At the system console prompt, enter the console command `SHOW DEVICE` to determine the DSSI ID numbers currently active on the DSSI bus.
2. Select an unused DSSI ID number for the HSD05 adapter.
3. Refer to Figure 1–1 and Table 1–3 to locate the DSSI ID switches on the device configuration switchpack.
4. Using a small blade screwdriver or similar tool, set the switch to the DSSI ID number selected in step 2.

## 1.4.2 Selecting and Setting the SCSI ID

The SCSI port plugs into the SCSI connector (J30) on the backplane when the HSD05 adapter is installed in the card cage. This port must have a unique SCSI ID.

The HSD05 adapter is factory set to SCSI ID = 7 to give the adapter the highest priority on the SCSI bus. The other devices in the configuration must have SCSI ID numbers between 0 and 6. For most operations, you do not have to reset the SCSI ID.

Table 1–6 lists the SCSI ID sections of SW2 and the corresponding settings for each SCSI ID (Closed = down position; Open = up position).

**Table 1–6 HSD05 Adapter SCSI ID Switch Settings**

SCSI ID	SW2–4	SW2–5	SW2–6
0	Open	Open	Open
1	Open	Open	Closed
2	Open	Closed	Open
3	Open	Closed	Closed
4	Closed	Open	Open
5	Closed	Open	Closed
6	Closed	Closed	Open
7	Closed	Closed	Closed (default)

To change the default HSD05 SCSI ID (Default = 7), use the following procedure:

1. Refer to Figure 1–1 and Table 1–3 to locate the SCSI ID switches on the device configuration switchpack.
2. Using a small blade screwdriver or similar tool, set the switch to the SCSI ID number you have selected.



# 2

---

## Installing the HSD05–JA/JF Adapter in a Pedestal Enclosure

This chapter describes how to install the HSD05–JA/JF adapter and cables in the BA430/BA440/B400x pedestal enclosures. Be sure you have set the device configuration switches as described in Chapter 1 before installing the adapter.

The HSD05 adapter kit contains the following parts:

- This installation document (EK–HSDD5–IN)
- SCSI cable
- 3-connector DSSI cable
- SCSI port connector cover and mounting screws
- HSD05 adapter module
- HSD05–J\_ identification label
- Cable routing clamps

---

### NOTE

---

In addition to this guide, you need the *BA400-Series Enclosures Storage Devices Installation Procedures* (EK–BA44A–IN) manual for the procedures to install HSD05 supported disk, tape, and CD–ROM drives.

---

## 2.1 Before You Install the Kit

Before you install the kit:

1. It is the customer's responsibility to back up the system disk before the Digital services representative arrives. This is optional.
2. Perform a software shutdown of the system.

## 2.2 HSD05 Adapter Installation Procedure

The installation procedure for the HSD05 adapter consists of the following:

1. Removing the existing DSSI and SCSI cables—Section 2.2.1.
2. Installing the new DSSI and SCSI cables—Section 2.2.2.
3. Installing the adapter—Section 2.2.3

---

### CAUTION

---

To prevent static electricity damage to the integrated circuits, use the antistatic wrist strap and antistatic pad found in the static-protective kit (part number 29-26246-00) when you install the HSD05 adapter.

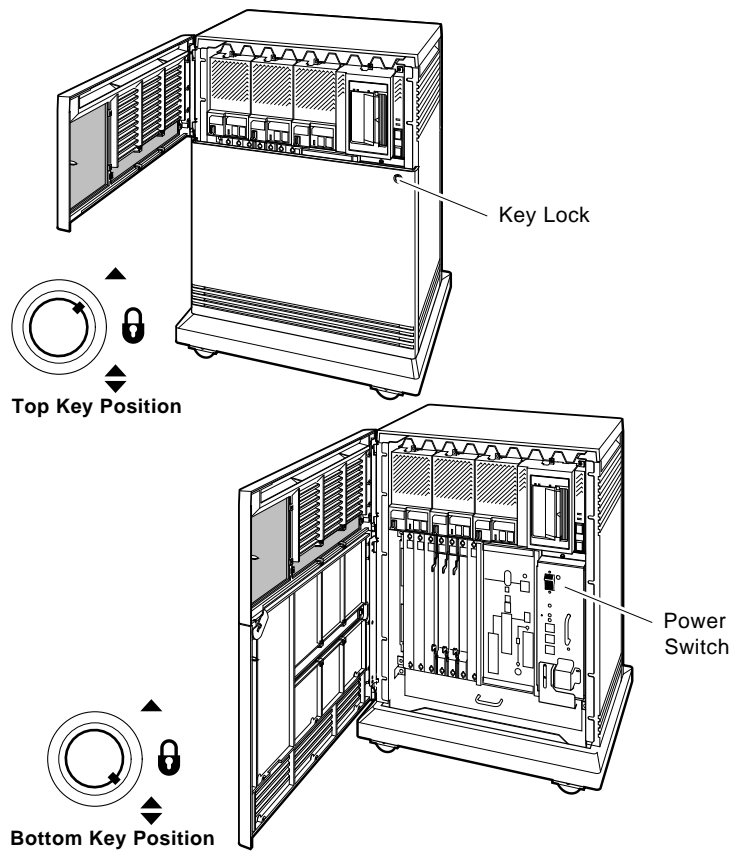
---

### 2.2.1 Removing Existing Cables

Remove the existing DSSI and SCSI cables as follows:

1. Open the top and bottom enclosure doors. See Figure 2-1.
2. Power off the system and unplug the power cord from the wall outlet.

**Figure 2-1 Opening Enclosure Doors**



MLO-012859

3. Loosen the Phillips screw at the top of the blank front panel in the leftmost slot (slot 3) of the mass storage area and remove the panel (see 1 in Figure 2-2).

---

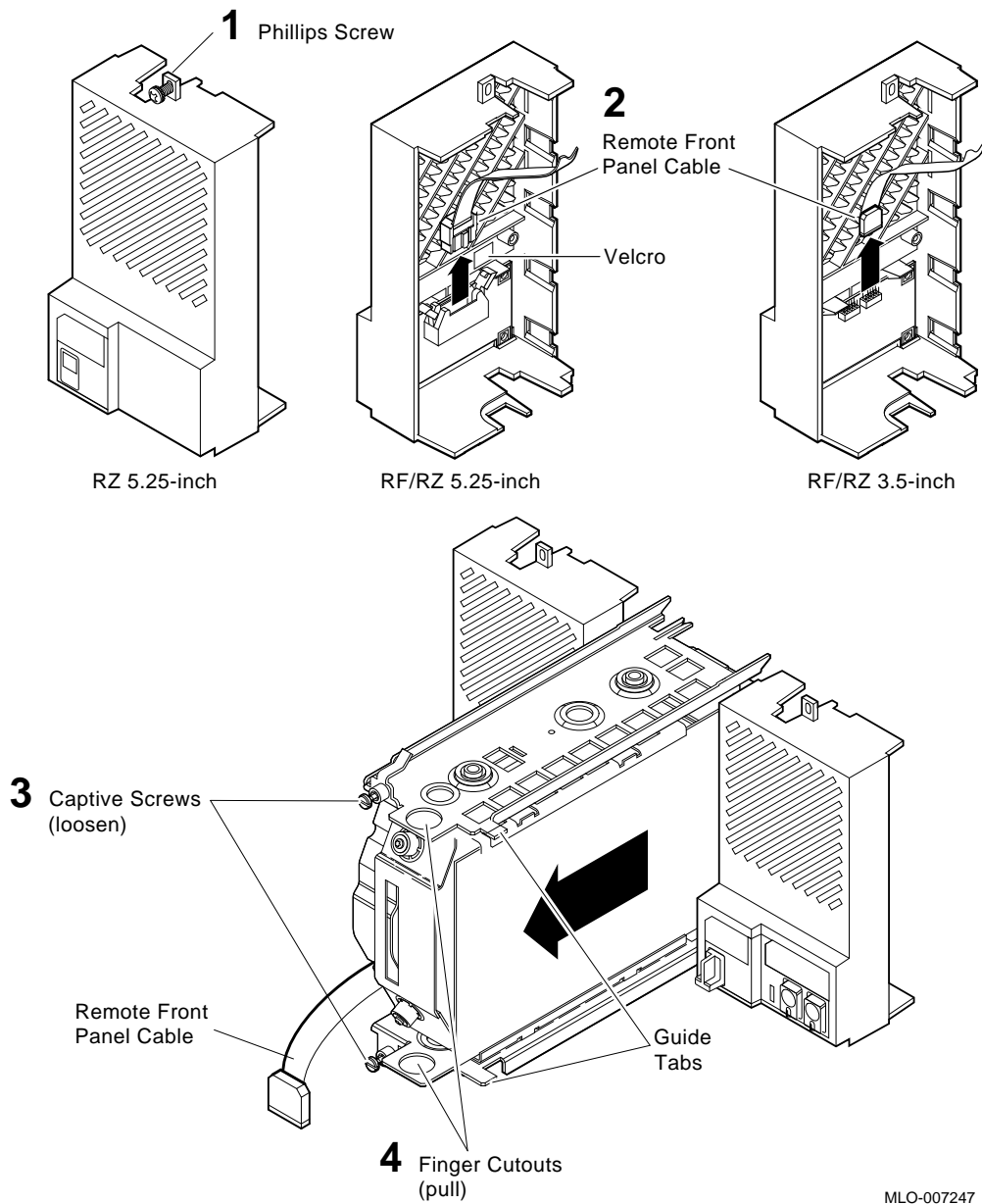
**NOTE**

---

If there is an ISE in slot 3 you must remove it to install the new cables (refer to Figure 2-2).

---

**Figure 2-2 ISE Removal**



MLO-007247

4. Remove the module covers from slots 9 through 12 of the card cage by loosening the captive screws (Figure 2-3).

---

**NOTE**

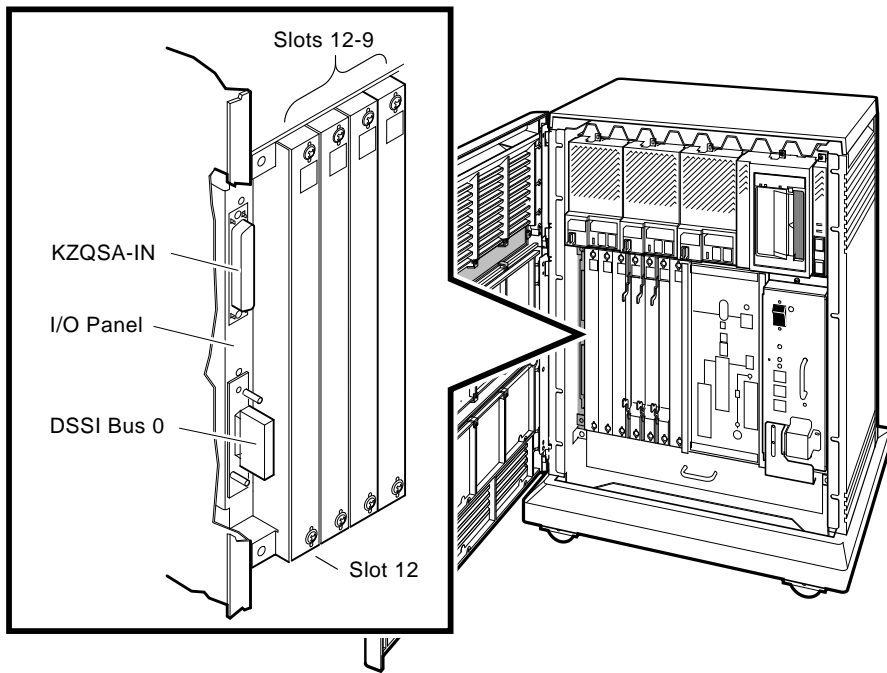
---

If there are modules in slots 9 through 12 you need to remove them. Be sure to mark all cable connections to the modules and list the module and its particular slot location. It is very helpful to draw a diagram of the module/slot configuration to simplify the installation process.

The HSD05 adapter is normally installed in slot 12. If your system contains an option such as the M9404-PA Q-bus extender that *must* go in slot 12, install the HSD05 adapter in slot 11.

---

**Figure 2-3 Panel Connectors**



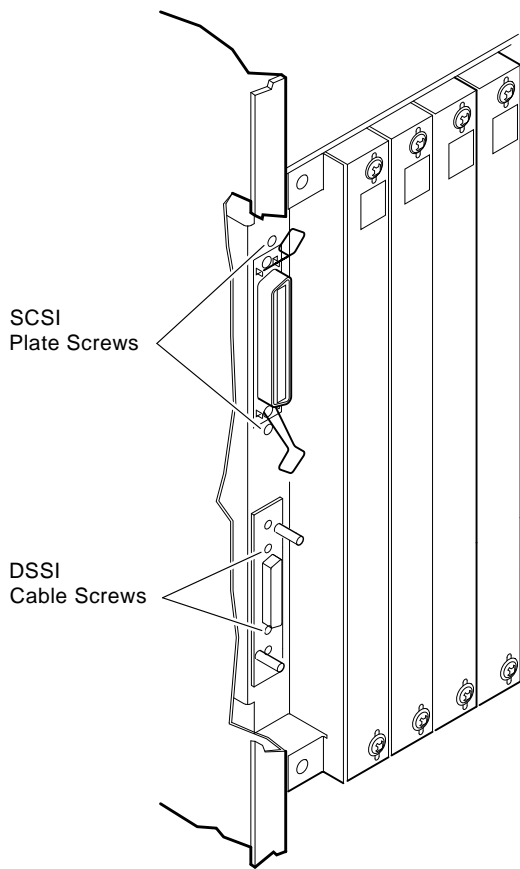
MLO-012726

5. Remove the existing DSSI and SCSI cables from the I/O panel located to the left of slot 12 (Figure 2–4). Be sure to note how the cables are routed so you can run the new cables in the same manner.
  - a. Remove any external cables or terminators from the connectors on the panel.
  - b. Remove the small cable connector screws and remove the DSSI cable from the panel (DSSI Bus 0).
    - ✓ Remove only the cable connector screws, adjacent to the connector, that secure the cable to the plate. Do not remove the screws that secure the plate to the panel.
    - ✓ Save the screws to attach the new cable.
  - c. Remove the SCSI cable/plate from the panel (KZQSA IN) by removing the top and bottom plate screws.
  - d. Disconnect the DSSI and SCSI cables from the backplane and remove the cables from the enclosure.
    - ✓ Be careful not to break the cable clamps when removing the cables from the enclosure. Additional clamps are provided in the HSD05 adapter kit if the original clamps breaks. Be sure to clean the enclosure surface thoroughly (for example, with an alcohol wipe) before attaching a new cable clamp.
    - ✓ Remove the SCSI cable by pulling it through the plate opening in the I/O panel.

This completes the removal of the cables. Go to Section 2.2.2 to install the new cables.



**Figure 2-4 Removing Cable Connectors from the I/O Panel**



MLO-012834

### **2.2.2 Installing the New DSSI and SCSI Cables**

This section describes how to install the new DSSI and SCSI cables.

---

**NOTE**

---

If there is a KFDDDB (3rd and 4th DSSI bus option) already installed in slots 11 and 12, you can install the HSD05 adapter in the same slot as the KFDDDB bulkhead.

---

1. Install the new 3-connector DSSI cable (refer to Figure 2-5 for the cable routing).
  - a. Slip the short portion of the cable (plastic connector) up through the opening to the left of slot 12 (slot 11 if the M9404-PA is installed), left through the card cage/mass-storage divider, and up through the opening next to the side of the enclosure.
    - ✓ Connect the cable to the DSSI connector (J29) on the backplane.

---

**NOTE**

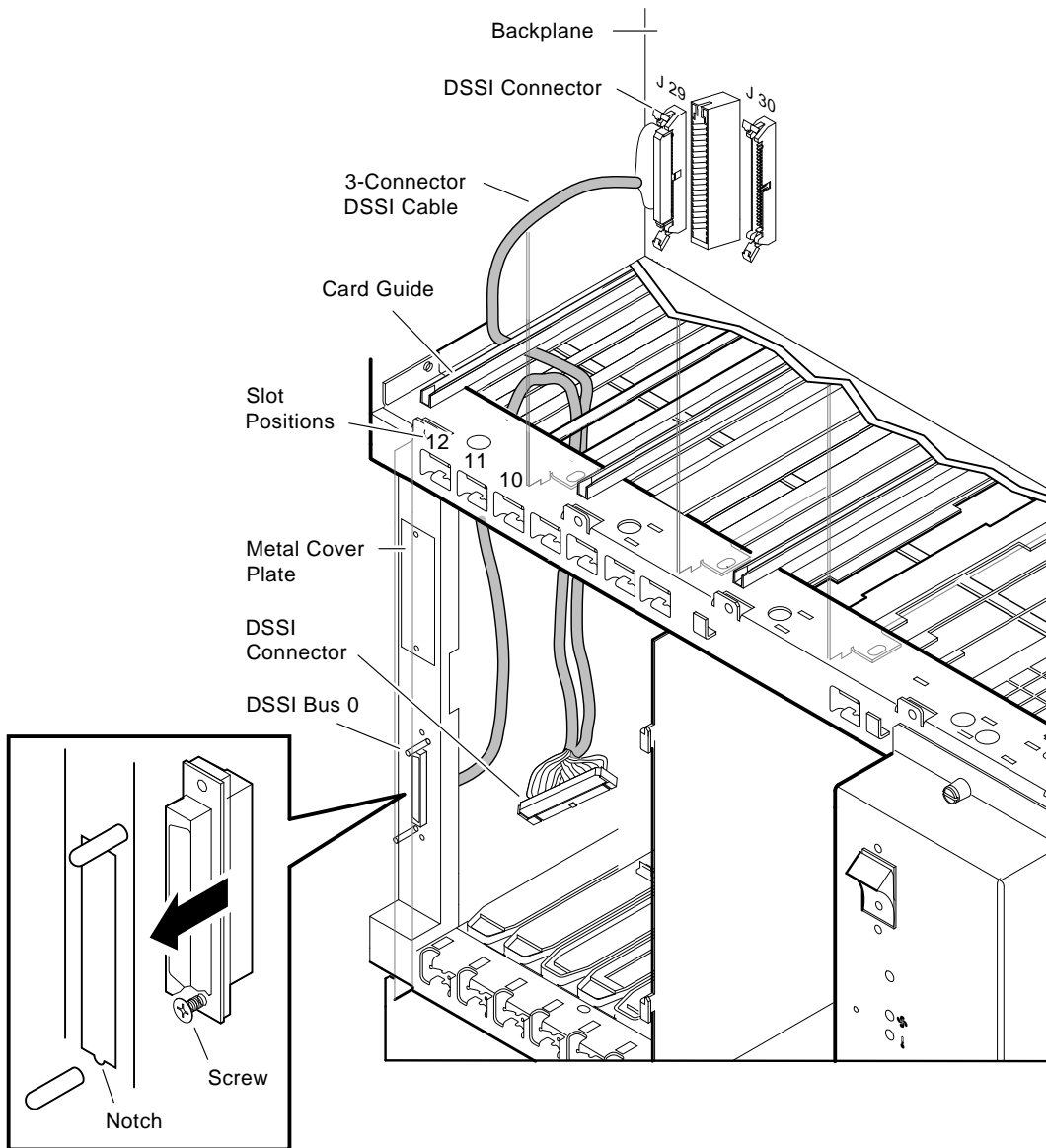
---

The cable must be routed up to the left of the first card guide (shown in Figure 2-5) or you may damage the cable if you try to install an ISE into this slot. The cable must be run to the connector on the backplane just as the original cable was run.

---

- b. Slip the long section of the cable (metal connector) up through the opening to the left of slot 12 (slot 11 if the M9404-PA is installed), left through the card cage/mass-storage divider, and down through the opening next to the side of the enclosure.
- c. Insert a connector screw (saved when you removed the original cable) about 3/4 of the way into the bottom of the DSSI cable connector.
  - ✓ The wide side of the connector should be on the right side of the panel opening.
- d. Slip the connector into the DSSI opening (DSSI Bus 0) from the rear of the I/O panel (the screw holds the connector in position).
- e. Insert the other connector screw into the top of the connector and then tighten both screws.
  - ✓ The middle section of the cable should be hanging through the opening above slot 12 (it is not connected at this time).
  - ✓ Route the cable through the 1st (small clamp closest to the DSSI connector opening) and 3rd (wide) cable clamps on the side of the enclosure that the original cable ran through (skip the 2nd small clamp). Additional clamps are provided in the HSD05 adapter kit if the original clamp breaks. Be sure to clean the enclosure surface thoroughly (for example, with an alcohol wipe) before attaching a new cable clamp.

**Figure 2-5 Installing the New DSSI Cable**



MLO-012796

2. Install the new SCSI cable (refer to Figure 2–6 for the cable routing):
  - a. Slip the end of the SCSI cable with the right-angle wires (connector farthest from the cable ID label) up through the opening to the left of slot 12 (slot 11 if the M9404–PA is installed), left through the card cage/mass-storage divider and up through the opening next to the side of the enclosure.

---

**NOTE**

---

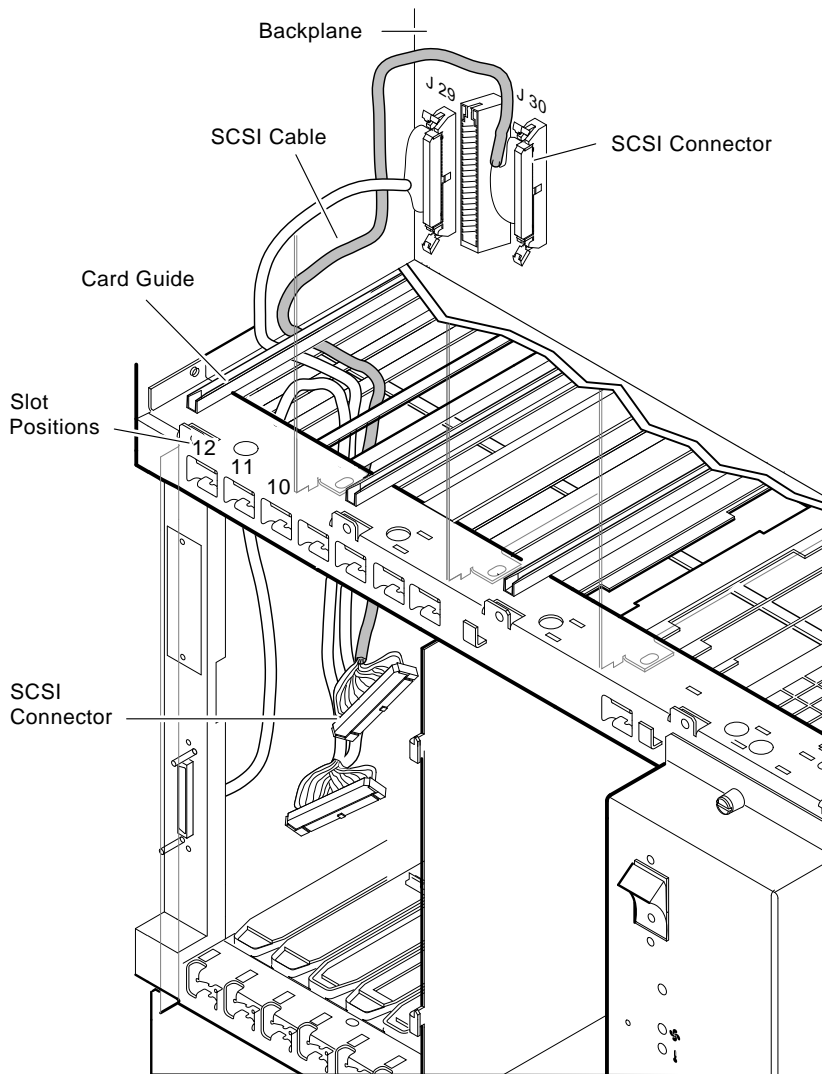
The cable must be routed up to the left of the first card guide (shown in Figure 2–6) or you may damage the cable if you try to install an ISE into this slot. The cable must be routed through cable clamp and up over the connectors on the backplane just as the original cable was run.

---

- ✓ Connect the cable to the SCSI connector (J30) on the backplane.
- ✓ Route the cable through the cable clamp on the side of the enclosure. Additional clamps are provided in the HSD05 adapter kit if the original clamp breaks. Be sure to clean the enclosure surface thoroughly (for example, with an alcohol wipe) before attaching a new cable clamp.
- ✓ The other end of the cable should be hanging through the opening above slot 12 (it is not connected at this time).

Go to Section 2.2.3 to install the HSD05 adapter into the enclosure.

**Figure 2-6 Installing the New SCSI Cable**



MLO-012725

### 2.2.3 Installing the HSD05 Adapter

Refer to Figure 2–7 to insert the HSD05 adapter into the enclosure.

1. Insert the HSD05 adapter half-way into slot 12 (or slot 11 if necessary).
2. Pull the DSSI and SCSI cables through the opening in the HSD05 adapter.
  - √ Use the SCSI opening on the I/O panel to access the cables by slipping a few fingers in the SCSI opening to help coax the cables through the opening in the HSD05 adapter.
3. Connect the SCSI cable to the SCSI connector.
4. Connect the DSSI cable to the DSSI connector.
5. Push the HSD05 adapter all the way into the slot until it makes a positive connection to the backplane. Use the module handles to seat the adapter securely.
6. Check the cables from the HSD05 adapter making sure they are routed sharply to the left and through the opening on the adapter so they do not interfere with a module placed in an adjacent slot.

---

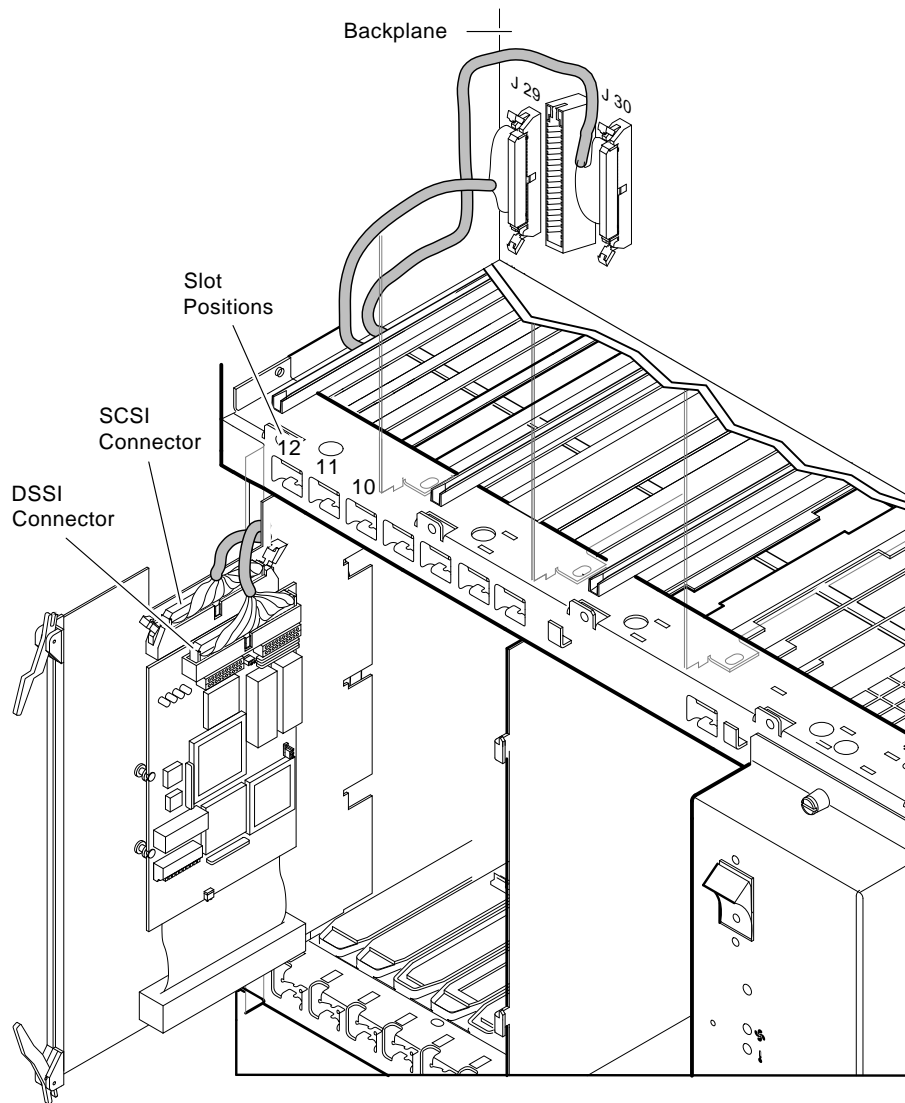
#### NOTE

---

If you have the KFDDDB option installed, the card cage/mass storage divider will be very crowded with cables. Try to keep the cables for each device separated. For example, if your HSD05 adapter cables are located at the back of the divider openings, place the KFDDDB cables at the front of the openings. Cables should be routed at the front and rear edges leaving the center of the card cage/mass storage divider clear so that airflow through the unit is not impeded.

---

**Figure 2-7 Connecting the Cables to the HSD05 Adapter**



MLO-012797

7. Replace the blank front panel or reinstall the ISE into slot 3.
8. Replace the modules or module covers for slots 9 through 12.

---

**CAUTION**

---

Be sure to install all modules into their original slots. Use the cable identification list/diagram you created when removing any existing modules from the system.

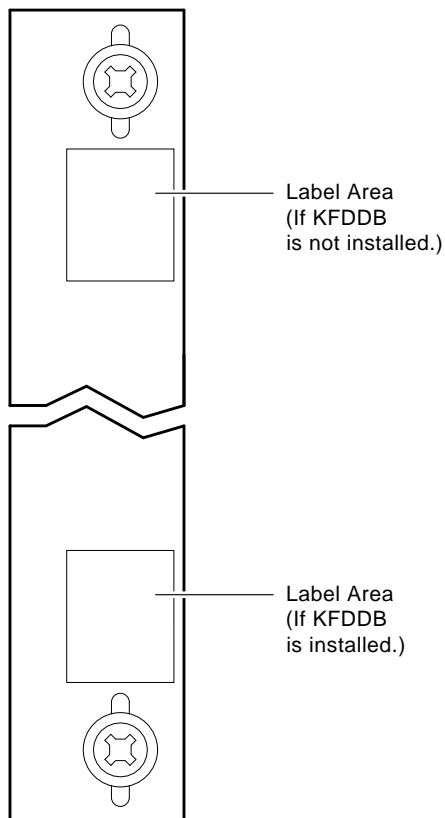
Do not operate the system without all the module covers installed. They are required to maintain proper airflow and to meet international regulatory standards.

---

9. Attach the metal cover plate over the SCSI connector opening on the I/O panel using the screws provided in the HSD05 adapter kit.
10. Reinstall any original cables and terminators to the module covers and I/O panel.



11. Attach the gray HSD05-J\_ identification label on the slot 11 or 12 module cover as shown below.



MLO-012727

12. Plug in the power cord and power on the system.
13. Close the top and bottom enclosure doors.
14. Have the customer perform a software boot to the system.
15. Run diagnostics to verify system operation.

This completes installing the adapter into the enclosure. Go to Appendix A to select device numbers and complete the installation.



# 3

---

## Installing the HSD05–JG/JH Adapter in a Rackmount Enclosure

This chapter describes how to install the HSD05–JG/JH adapter and cables in the BA431/BA441/B401x rackmount enclosures. Be sure you set the device configuration switches as described in Chapter 1 before installing the adapter.

The HSD05 adapter kit contains the following parts:

- This installation document (EK–HSDD5–IN)
- SCSI cable
- 3-connector DSSI cable
- HSD05 adapter module
- HSD05–J\_ identification label
- Cable routing clamps
- Blank connector plate and mounting screws

---

### NOTE

---

In addition to this guide, you need the *BA400-Series Enclosures Storage Devices Installation Procedures* (EK–BA44A–IN) manual for the procedures to remove and install HSD05 supported disk, tape, and CD–ROM drives.

---

## 3.1 Before You Install the Kit

Before you install the kit:

1. It is the customer's responsibility to back up the system disk before the Digital services representative arrives. This is optional.
2. Perform a software shutdown of the system.

## 3.2 HSD05 Adapter Installation Procedure

The installation procedure for the HSD05 adapter consists of the following:

1. Removing the VAX 4000 from the cabinet—Section 3.2.1
2. Removing the front bezel—Section 3.2.2
3. Removing the ISEs—Section 3.2.3
4. Removing the existing DSSI and SCSI cables—Section 3.2.4.
5. Installing the new DSSI and SCSI cables—Section 3.2.5.
6. Installing the HSD05 adapter—Section 3.2.6
7. Completing the installation—Section 3.2.7

---

### CAUTION

---

To prevent static electricity damage to the integrated circuits, use the antistatic wrist strap and antistatic pad found in the static-protective kit (part number 29-26246-00) when you install the HSD05 adapter.

---

### 3.2.1 Removing the VAX 4000 from Cabinet

To remove the VAX 4000 from the cabinet, do the following:

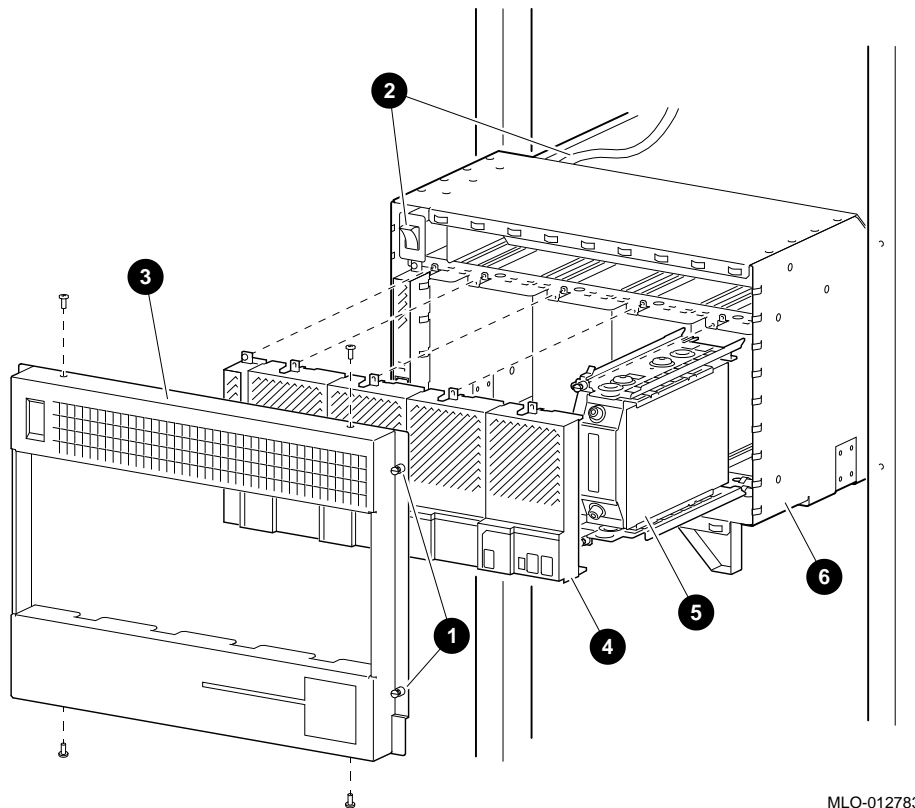
1. Extend the stabilizing foot (feet) on your cabinet.
2. Release the two captive fasteners (see ❶ in Figure 3-1) on each side of the bezel that secures the chassis to the cabinet, and pull the VAX 4000 forward.
3. Place the main ON/OFF power switch in the OFF position, and disconnect the power cord from the power controller. See ❷ in Figure 3-1.

### 3.2.2 Removing the Front Bezel

To remove the front bezel, follow this step:

- Remove the four (4) Phillips screws from the front bezel ❸, Figure 3–1.

Figure 3–1 Removal/Breakdown of the VAX 4000 Rackmount System



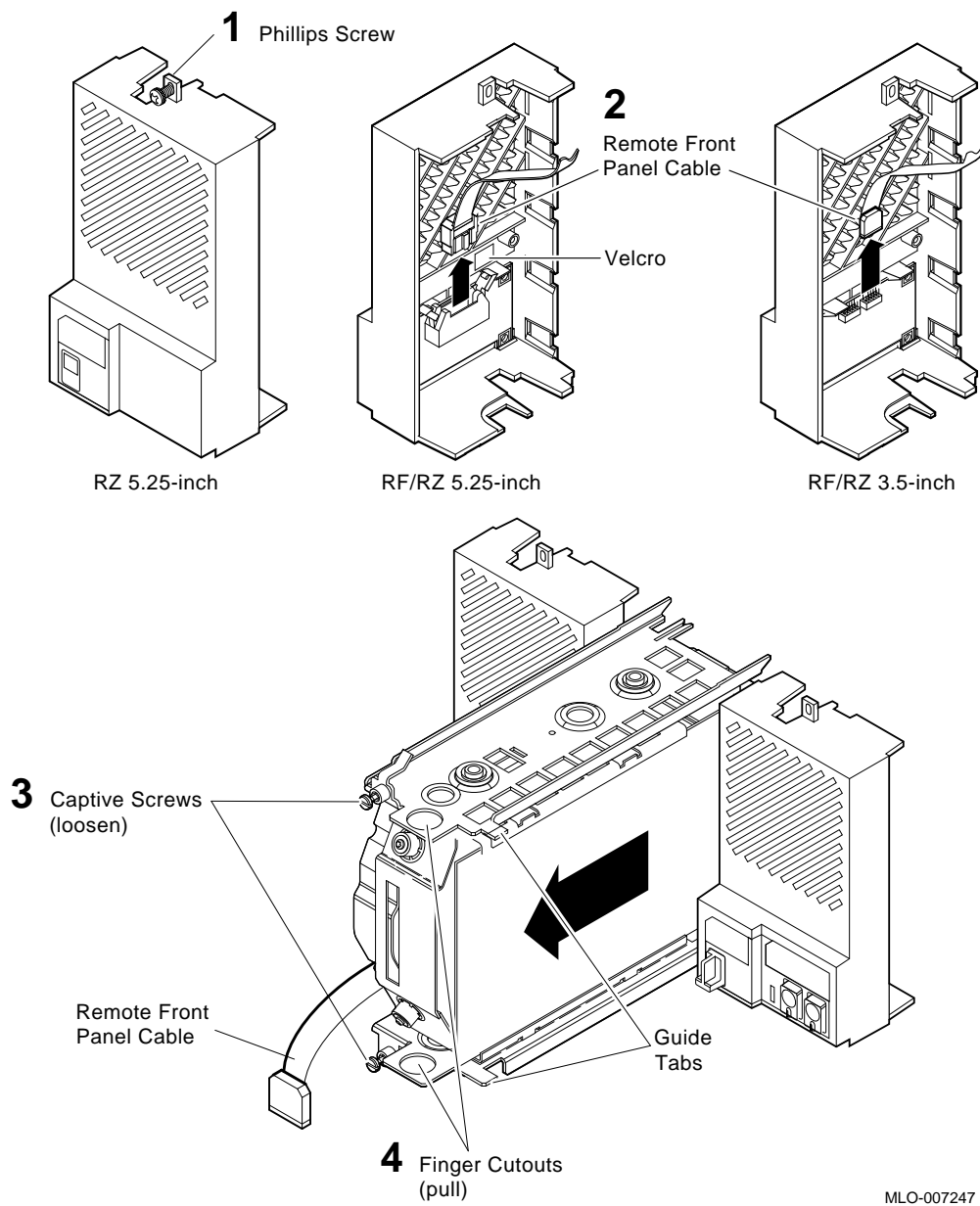
MLO-012783

### 3.2.3 Removing the ISEs

Identify the three (or four on some systems) ISE slots. See ❹ and ❺ in Figure 3–1. To remove the ISEs from the I/O slots, follow this step:

- Remove all ISEs starting from left to right. Follow the numbered steps in Figure 3–2.

**Figure 3-2 ISE Removal**



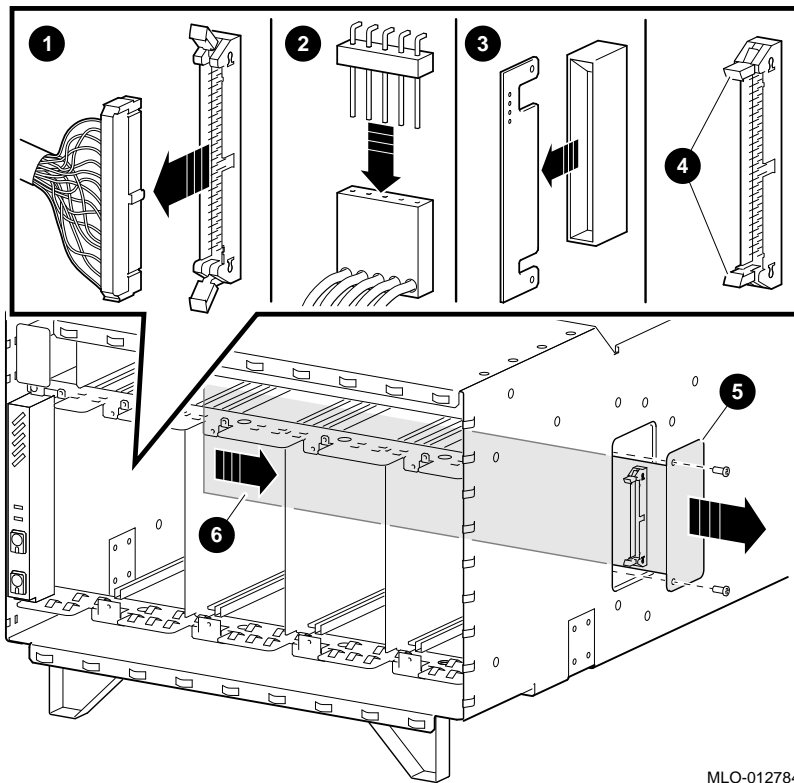
MLO-007247

### 3.2.4 Removing Existing Cables

Before you remove the existing DSSI and SCSI cables from the I/O area, be sure to note how the cables are routed so you can run the new cables in the same manner.

1. Open the clamps on all SCSI and DSSI cable connectors on the storage backplane assembly. Remove cables from connectors on the storage backplane assembly. See ❶ in Figure 3-3.
2. Remove the power plugs from SCSI/DSSI storage backplane assembly. See ❷ in Figure 3-3.
3. If present, remove the blank module from the leftmost connector on the storage backplane assembly. See ❸ in Figure 3-3.
4. Put clamps on SCSI/DSSI cable connectors in the closed position. See ❹ in Figure 3-3.
5. Remove the two screws from the blank panel on the side of the chassis. See ❺ in Figure 3-3.
6. Reach into the leftmost ISE slot and push the storage backplane assembly to the right. See ❻ in Figure 3-3. Take the assembly out of the VAX 4000 chassis.

Figure 3-3 Preparing to Remove Cables

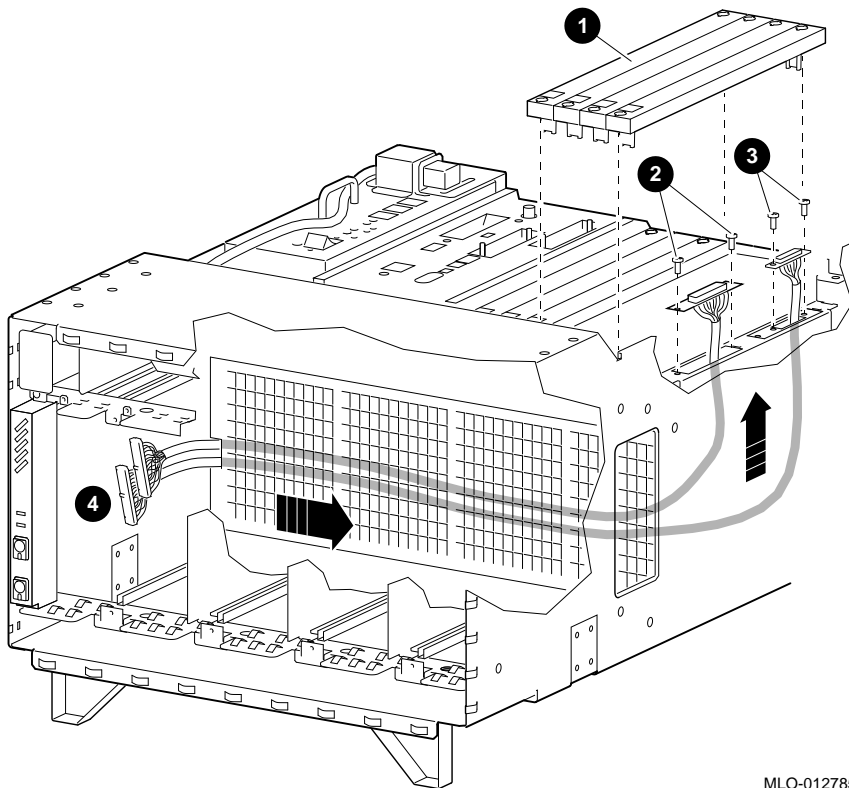


MLO-012784



7. Remove any terminators and external cables from the connectors on top of the DSSI bulkhead.
8. Remove the bulkhead module covers from slots 9 through 12 on the card cage by loosening the captive screws. See ❶ in Figure 3-4.
9. Remove the SCSI mounting plate screws, and mounting plate. See ❷ in Figure 3-4.

**Figure 3-4 DSSI Bulkhead**



MLO-012785

10. Remove the screws on each side of the DSSI connector (leave the connector plate in place). Set the DSSI connector screws aside. See ❸ in Figure 3-4.
11. Remove the SCSI and DSSI cables. The easiest way to remove the SCSI and DSSI cables is by pulling the cable out by the connector end on the right side of the chassis, and routing the cables through the cutout in the leftmost ISE slot. The DSSI cable/connector must be first dropped into the enclosure and then removed. See ❹ in Figure 3-4).

### 3.2.5 Installing the New DSSI and SCSI Cables

To install the new (longer) DSSI and SCSI cables, follow these steps:

1. Each module slot is numbered in the card cage. Note slots numbered 11 and 12 (shown as white numbers on black squares) in Figure 3–5.
2. If there are modules in slots 9 through 12, you need to remove them. Be sure to mark all cable connections to the modules and list the module and its particular slot location. It may be helpful to draw a diagram of the module/slot configuration to simplify the installation process.

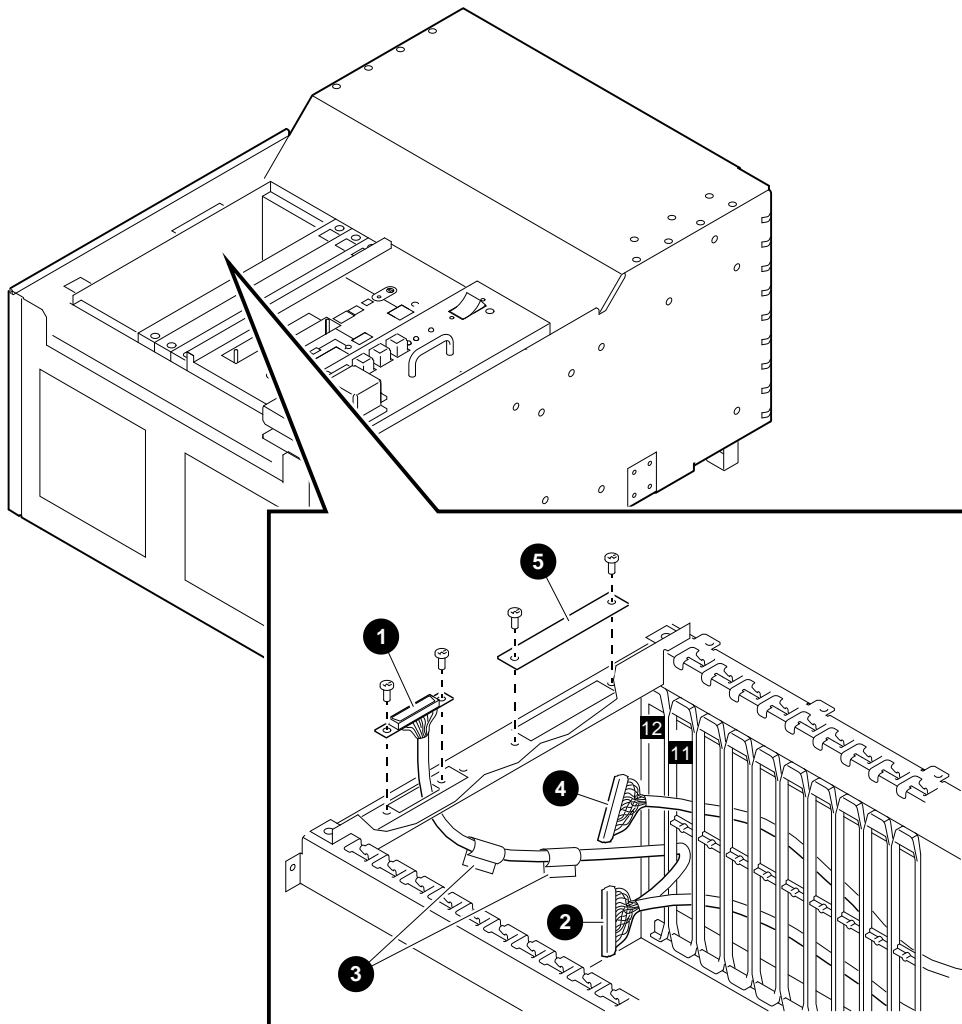
---

#### CABLING TIPS

---

- The HSD05 adapter is normally installed in slot 12. If your system contains an option such as the M9404–PA Q–bus extender that must go in slot 12, then install the HSD05 adapter in slot 11.
  - If your system contains only a few modules, route the cables to either the left or right of the HSD05 module. Figure 3–6 shows the cables being dressed to the right of the module.
  - If your system contains many modules, the HSD05 cables will be less likely to interfere with other modules if they are dressed to the left of the module slot selected for the HSD05 adapter. For example, if you plan to place the HSD05 module in slot 11, route the cables to the left, through slot 12. If you plan to place the HSD05 module in slot 12, route the cables to slot 12.
-

Figure 3-5 Cable Routing



MLO-012786

3. Route the 3-connector DSSI cable into the leftmost ISE slot of the storage backplane assembly (next to the enclosure wall). See ❶ in Figure 3-4.
4. Route the the 3-connector DSSI cable between the cage supports.
  - a. Route the DSSI cable connector to its position on the chassis ❶ in Figure 3-5. Secure the DSSI cable connector to the bulkhead, using the screws you saved when you removed the original cable.

---

**NOTE**

---

See Section 3.2.5 for cabling tips and routing information.

---

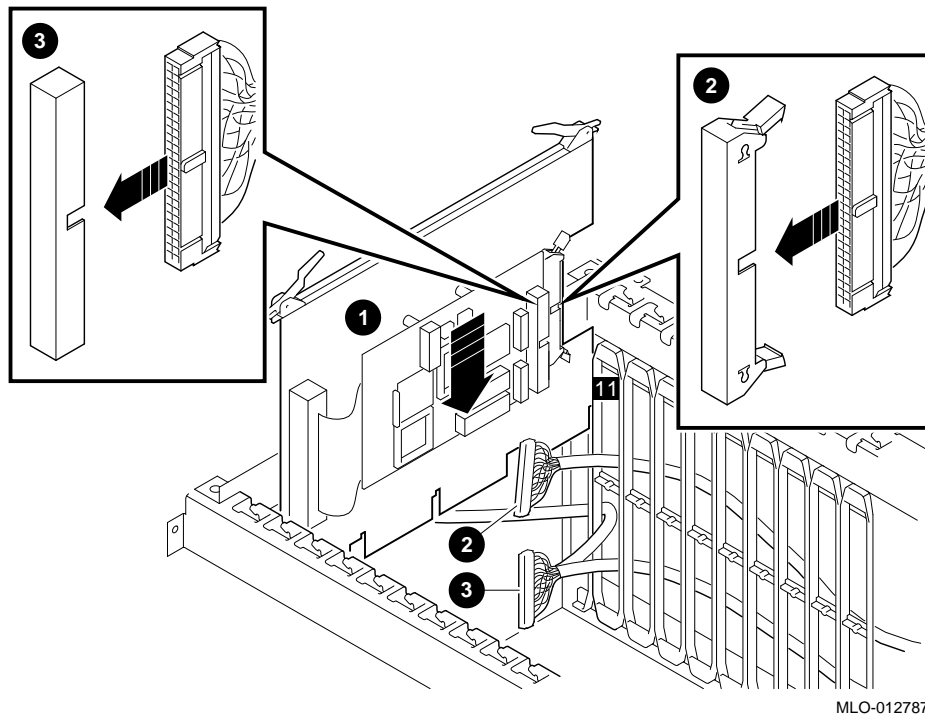
- b. Route the DSSI plug ❷ through slot 11 or 12 (it is not connected at this time).
  - c. Attach the cable routing clamps (if needed) and secure the cable to the chassis. See ❸ in Figure 3-5.
5. Route the SCSI cable into the leftmost ISE slot of the I/O storage backplane assembly cage. See ❹ in Figure 3-4.
  6. Route the the SCSI cable in between the cage supports, until it reaches the opening for slot 11 or 12. See ❹ in Figure 3-5.
  7. Attach the blank connector plate over the SCSI connector opening on the I/O panel using the screws provided in the HSD05 adapter kit. See ❺ in Figure 3-5.
  8. Pull all cable slack into the area between the cage supports.

### 3.2.6 Installing the HSD05 Adapter

Refer to Figure 3-6 to insert the HSD05 adapter into the enclosure.

1. Remove the HSD05 adapter from its packaging.
2. Turn the adapter so that the small daughter card is facing the center of the enclosure. See ❶ in Figure 3-6.
3. Insert the HSD05 adapter half-way into slot 11 (or slot 12).
4. Open the connector clamps on the SCSI connector. Connect the SCSI cable to the SCSI connector. See ❷ in Figure 3-6. Close the connector clamps.
5. Connect the DSSI cable to the DSSI connector. See ❸ in Figure 3-6.

Figure 3–6 Installing HSD05 Adapter



6. Push the HSD05 adapter all the way into the slot until it makes a positive connection to the backplane. Use the module handles to seat the adapter securely.
7. Check the cables from the HSD05 adapter making sure they are routed so they do not interfere with a module placed in an adjacent slot. Dress all cables in the cable routing area to the bottom of the unit.
8. Return each module to its original slot in the system. Use the cable identification list/diagram you created when you removed the existing modules from the system.
9. Replace the module covers for slots 9 through 12 using the captive screws.

**CAUTION**

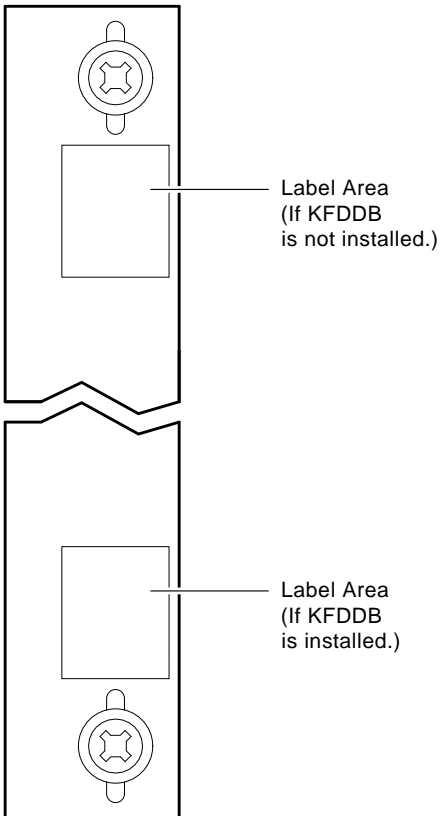
Do not operate the system without all the module covers installed. They are required to maintain proper airflow and to meet international regulatory standards.

10. Reinstall any original cables and terminators to the module covers and I/O panel.

### 3.2.7 Completing the Installation

To complete the installation, follow these steps:

1. Reverse the procedures listed in Section 3.2.3 and Section 3.2.2. Remember to reinstall the blank module in the leftmost SCSI connector to complete the SCSI bus.
2. Attach the gray HSD05-J\_ identification label on the slot 11 or 12 module cover as shown below.



MLO-012727

3. Plug in the power cord and power on the system.
4. Have the customer perform a software boot to the system.
5. Run diagnostics to verify system operation.

This completes the installation of the adapter in a rackmount enclosure. Go to Appendix A to select device numbers and complete the installation.





# A

---

## Selecting Device Numbers for Multiple DSSI Bus Configurations

Use the following procedure to select a unique device number for the HSD05 adapter and the SCSI ISE devices connected to it.

1. At the system console prompt, enter the console command “SHOW DSSI” to verify that the selected HSD05 adapter node address is seen by the system.
2. Take note of the DSSI device numbers in use on the cluster to be sure that all DSSI numbers are unique throughout the cluster. For example, you cannot have a DIA130 and a DIB130 on the same cluster.

The device numbering scheme on the HSD05 adapter is “wxyz.”

- “w” is the value of the HSD05 UNIT\_OFFSET parameter (default = 0)
- “x” is the DSSI ID (default = 0)
- “y” is the SCSI ID
- “z” is the SCSI lun number (usually = 0)

In this example the device name is DIA1230.

HSD05 UNIT\_OFFSET (w) = 1  
DSSI ID (x) = 2  
SCSI ID (y) = 3  
SCSI lun (z) = 0

---

**NOTE**

---

You may need to change the UNITUM and FORCEUNI parameters on existing DSSI drives in the cluster and the HSD05 UNIT\_OFFSET parameter so that each device has a unique device number.

If a unit number is added which overlaps the unit number of another device on another controller in the system or cluster, all of the other devices on that other controller can disappear. In this event, the unit number conflict should be resolved and controller power should then be cycled. All lost devices will reappear when the controller is powered on.

---

3. At the command prompt, enter the console command “SET HOST/DUP/DSSI/BUS:n x PARAMS” to set the DISK\_ALCS and TAPE\_ALCS parameters to the cluster Allocation class.  
Where n = DSSI bus number and where X = the DSSI node name of the HSD05 adapter.
4. Set the UNIT\_OFFSET so that unit numbers are unique across the cluster (default = 0).
5. Set the HSD05 NODENAME and any other desired parameters.
6. Use the WRITE and RESTART commands to save the settings and complete the procedure.
7. Install any new SCSI disk, tape, or CD-ROM drives in the BA4xx enclosure, making sure the SCSI IDs are unique.
  - √ Refer to the *BA400-Series Enclosures Storage Devices Installation Procedures* manual (EK-BA44A-IN) for the procedures to install HSD05 adapter supported options.

8. Enter the console command “SHOW DSSI” or “SHOW DEVICES” to verify that all devices are seen by the system.
  - ✓ You may have to enter this command twice in order to see all of the devices on the system.

---

**NOTE**

---

All disk drives appear as RF72s while all tape drives appear as TU81s.

The OpenVMS command “SETHOST/DUP/SERVER=MSCP\$DUP /TASK=<taskname> <node>” can be used in place of the console command “SET HOST/DUP/DSSI/BUS:n PARAMS”, once the VMS driver is loaded, by using the command “MC SYSGEN CONNECT FYA0/NOADAPTER.

Where n = the DSSI bus number.”

---

This completes the installation of the HSD05 adapter. Refer to the *HSD05 DSSI-To-SCSI Adapter Operation Information for BA400-Based VAX 4000 Systems (EK-HSDC5-IN)* for system operating and troubleshooting information.



## How to Order Additional Documentation

---

### Technical Support

If you need help deciding which documentation best meets your needs, call 800-DIGITAL (800-344-4825) and press 2 for technical assistance.

### Electronic Orders

If you wish to place an order through your account at the Electronic Store, dial 800-234-1998, using a modem set to 2400- or 9600-baud. You must be using a VT terminal or terminal emulator set at 8 bits, no parity. If you need assistance using the Electronic Store, call 800-DIGITAL (800-344-4825) and ask for an Electronic Store specialist.

### Telephone and Direct Mail Orders

<b>From</b>	<b>Call</b>	<b>Write</b>
U.S.A.	DECdirect Phone: 800-DIGITAL (800-344-4825) Fax: (603) 884-5597	Digital Equipment Corporation P.O. Box CS2008 Nashua, NH 03061
Puerto Rico	Phone: (809) 781-0505 Fax: (809) 749-8377	Digital Equipment Caribbean, Inc. 3 Digital Plaza, 1st Street Suite 200 Metro Office Park San Juan, Puerto Rico 00920
Canada	Phone: 800-267-6215 Fax: (613) 592-1946	Digital Equipment of Canada Ltd. 100 Herzberg Road Kanata, Ontario, Canada K2K 2A6 Attn: DECdirect Sales
International	—————	Local Digital subsidiary or approved distributor
Internal Orders <sup>1</sup> (for software documentation)	DTN: 264-3030 (603) 884-3030 Fax: (603) 884-3960	U.S. Software Supply Business Digital Equipment Corporation 10 Cotton Road Nashua, NH 03063-1260
Internal Orders (for hardware documentation)	DTN: 264-3030 (603) 884-3030 Fax: (603) 884-3960	U.S. Software Supply Business Digital Equipment Corporation 10 Cotton Road Nashua, NH 03063-1260

---

<sup>1</sup>Call to request an Internal Software Order Form (EN-01740-07).



## Reader's Comments

HSD05 DSSI-to-SCSI Bus Adapter  
Installation Guide for BA400-Based  
VAX 4000 Systems  
EK-HSDD5-IN. A01

---

Your comments and suggestions help us improve the quality of our publications.  
Thank you for your assistance.

<b>I rate this manual's:</b>	<b>Excellent</b>	<b>Good</b>	<b>Fair</b>	<b>Poor</b>
Accuracy (product works as manual says)	<input type="checkbox"/>	<input type="checkbox"/>	<input type="checkbox"/>	<input type="checkbox"/>
Completeness (enough information)	<input type="checkbox"/>	<input type="checkbox"/>	<input type="checkbox"/>	<input type="checkbox"/>
Clarity (easy to understand)	<input type="checkbox"/>	<input type="checkbox"/>	<input type="checkbox"/>	<input type="checkbox"/>
Organization (structure of subject matter)	<input type="checkbox"/>	<input type="checkbox"/>	<input type="checkbox"/>	<input type="checkbox"/>
Figures (useful)	<input type="checkbox"/>	<input type="checkbox"/>	<input type="checkbox"/>	<input type="checkbox"/>
Examples (useful)	<input type="checkbox"/>	<input type="checkbox"/>	<input type="checkbox"/>	<input type="checkbox"/>
Index (ability to find topic)	<input type="checkbox"/>	<input type="checkbox"/>	<input type="checkbox"/>	<input type="checkbox"/>
Page layout (easy to find information)	<input type="checkbox"/>	<input type="checkbox"/>	<input type="checkbox"/>	<input type="checkbox"/>

I would like to see more/less \_\_\_\_\_

What I like best about this manual is \_\_\_\_\_

What I like least about this manual is \_\_\_\_\_

I found the following errors in this manual:

Page	Description
_____	_____
_____	_____
_____	_____

Additional comments or suggestions to improve this manual:

For software manuals, please indicate which version of the software you are using: \_\_\_\_\_

Name/Title \_\_\_\_\_ Dept. \_\_\_\_\_

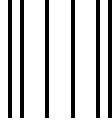
Company \_\_\_\_\_ Date \_\_\_\_\_

Mailing Address \_\_\_\_\_

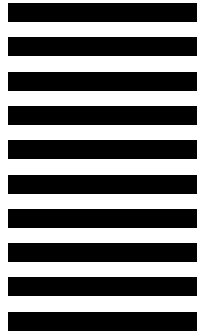
Phone \_\_\_\_\_

Do Not Tear - Fold Here and Tape

**digital**™



No Postage  
Necessary  
If Mailed  
in the  
United States



**BUSINESS REPLY MAIL**  
FIRST CLASS PERMIT NO. 33 MAYNARD MASS.

POSTAGE WILL BE PAID BY ADDRESSEE

DIGITAL EQUIPMENT CORPORATION  
Information Design and Consulting  
MRO1-2/J25  
200 Forest Street  
Marlboro MA 01752-3011



Do Not Tear - Fold Here