

**DECsystem 5900
Site Preparation**

EK-D590A-SP-001

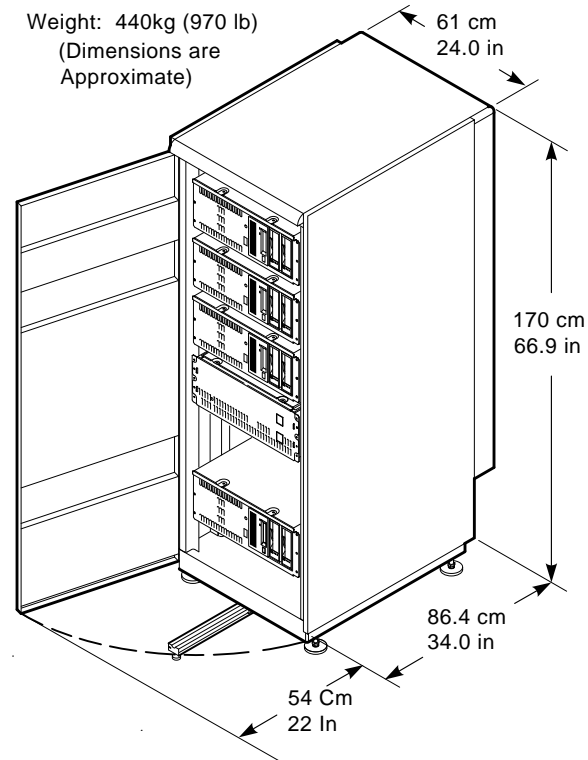
**Digital Equipment Corporation
Maynard, Massachusetts**

DECsystem 5900 Site Preparation

This card contains the information you need to prepare your computer room for the DECsystem 5900. Use this card along with the *Site Environmental Preparation Guide*, Order number: EK-CSEPG-MA.

Figure 1 shows the dimensions of the DECsystem 5900 server.

Figure 1 The DECsystem 5900 Server



MLO-007648

The following lists contain specific site preparation requirements for the DECsystem 5900 server:

Shipping Weight and Measurements

Weight	485 kg (1070 lb)
Height	193.1 cm (76 in)
Width	86.4 cm (34 in)
Depth	118.1 cm (46.5 in)

Environmental Requirements

Acoustics	7.2 LNPE (bels)
Air flow	Intake: front Exhaust: Back
Altitude	0 to 3,000 m 0 to 10,000 ft
Humidity	20% to 80%
Maximum heat dissipation	5325 Btu/h 1560 Watts
Service clearance	90 cm (36 in) front 56 cm (22 in) back 0 on sides
Temperature	0° to 32° C 32° to 90° F

Space Requirements

Weight	440 kg (970 lb)
Height	170 cm (66.9 in)
Width	61 cm (24.0 in)
Depth	86.4 cm (34.0 in)

Power Requirements—120 Vac

AC plug type	NEMA L5-30P
CPU enclosure	240 Watts
Frequency range	47 to 63 Hz
Mass storage drawer	270 Watts
Max. config.	1560 Watts
Nominal voltage	120 Volts
Power cable length	4.5 m (14.7 ft)
Power cable type	Attached
Start-up current	30 rms Amps

Power Requirements—230 Vac

Frequency range	47 to 63 Hz
CPU enclosure	240 Watts
Mass storage drawer	270 Watts
Max. config.	1560 Watts
Nominal Voltage	220 Volts
Power cord length	4.5 m (14.7 ft)
Start-up current	16 rms Amps

Power Cable and Plug Numbers-230 Vac

Country	Cable Number	Plug Number
Australia	BN18D-4E (17-00198-05)	AS 3112-1981
Central Europe	BN18C-4E (17-00199-10)	CEE77
Denmark	BN18P-4E (17-01255-01)	IEC 309
Europe	BN18P-4E (17-01255-01)	IEC 309
India	BN18H-4E (17-00456-06)	BS546
Ireland	BN18P-4E (17-01255-01)	IEC 309
Israel	BN18F-4E (17-00457-06)	S.I.32
Italy	BN18E-4E (17-00364-06)	CEI 23-16
Japan	BN18R-4E (17-01256-01)	IEC 309
South Africa	BN18H-4E (17-00456-06)	BS546
Switzerland	BN18P-4E (17-01255-01)	IEC 309
United Kingdom	BN18P-4E (17-01255-01)	IEC 309
United States	BN18R-4E (17-01256-01)	IEC 309

© Digital Equipment Corporation
1991. All rights reserved.

S1825