
BA42 DSSI Expander Installation Manual

Order Number: EK-BA42C-IN. A01

December 1992

Digital Equipment Corporation
Maynard, Massachusetts

First Printing, December 1992

© Digital Equipment Corporation 1992.

All Rights Reserved.

The information in this document is subject to change without notice and should not be construed as a commitment by Digital Equipment Corporation.

Digital Equipment Corporation assumes no responsibility for any errors that may appear in this document.

Any software described in this document is furnished under a license and may be used or copied only in accordance with the terms of such license. No responsibility is assumed for the use or reliability of software or equipment that is not supplied by Digital Equipment Corporation or its affiliated companies.

MicroVAX, VAX, VAX 4000, VAXserver, and the Digital logo are trademarks of Digital Equipment Corporation.

All other trademarks and registered trademarks are the property of their respective holders.

FCC NOTICE: This equipment has been tested and found to comply with the limits for a Class A digital device, pursuant to Part 15 of the FCC Rules. These limits are designed to provide reasonable protection against harmful interference when the equipment is operated in a commercial environment. This equipment generates, uses, and can radiate radio frequency energy and, if not installed and used in accordance with the instruction manual, may cause harmful interference to radio communications. Operation of this equipment in a residential area is likely to cause harmful interference, in which case users will be required to correct the interference at their own expense.

Printed in U.S.A.

S2147

Contents

Preface	vii
1 Installing the BA42 DSSI Storage Expander	
1.1 Checking the Shipment	1-1
1.2 Setting Up the Expander	1-3
1.3 Determining Which DSSI ID Numbers Are Available	1-4
1.4 Setting DSSI ID Switches for Hard Disk Drives	1-5
1.4.1 Remove the DSSI ID Switch Cover from the Expander	1-5
1.4.2 Check the DSSI ID Switch Setting on the Expander	1-6
1.4.3 Change the DSSI ID Switch Settings if Necessary	1-7
1.5 Drive Indicator Panel	1-8
1.6 Installing an Expander	1-9
1.6.1 Turn Power Off	1-10
1.6.2 Remove the Terminator from the DSSI Connector on the System Unit	1-10
1.6.3 Connect the DSSI Cable to the System Unit	1-11
1.6.4 Connect the DSSI Cable to the Expander	1-12
1.6.5 Connect the Terminator	1-13
1.6.6 Connect the Power Cord	1-13
1.7 Connecting One Expander to Another Expander	1-14
1.7.1 Turn Power Off	1-14
1.7.2 Remove the Terminator from the Expander Box	1-15
1.7.3 Connect the DSSI Expander Cable and Terminator	1-15
1.7.4 Connect the Power Cords	1-16
1.8 Verifying the System Configuration	1-18
1.8.1 Turn Power On	1-18
1.8.2 Check the Configuration Display	1-18

2 Installing a BA42 Storage Expander Upgrade

2.1	Checking the Shipment	2-1
2.2	Preparing the Expander Box	2-2
2.2.1	Turn Power Off	2-2
2.2.2	Remove the Cover from the Expander Box	2-2
2.3	Installing an RF3x-EK Hard Disk Drive	2-3
2.3.1	Attach the Drive Bracket and Shock Isolator Rubber Feet	2-4
2.3.2	Determine the Drive Location	2-5
2.3.3	Connect the 50-Pin DSSI Cable	2-5
2.3.4	Connect the 5-Pin Power Cable	2-8
2.3.5	Connect the 12-Pin RFP Cable	2-11
2.3.6	Install the Drive in the Expander Box	2-13
2.3.7	Replace the Cover on the Expander Box	2-14
2.4	DSSI ID Switch Settings	2-15

Figures

1-1	Parts of a BA42 DSSI Expander Box Shipment	1-2
1-2	On/Off Switch in the Off Position	1-4
1-3	Removing the DSSI ID Switch Cover from the Expander	1-6
1-4	LED Indicators and DSSI ID Switches for Hard Disk Drives	1-7
1-5	Drive Indicator Panel LEDs	1-9
1-6	Removing the DSSI Terminator from the System Unit	1-10
1-7	Connecting a DSSI Cable to the System Unit	1-11
1-8	Connecting a DSSI Cable to the Expander	1-12
1-9	Connecting a Terminator to the Expander	1-13
1-10	Connecting a Power Cord to an Expander	1-14
1-11	Removing a Terminator from an Expander	1-15
1-12	Connecting the Three-Foot DSSI Cable and Terminator to the Final Expander	1-16
1-13	Connecting Power Cords to Expander Boxes	1-17
2-1	Removing the Cover from the Expander Box	2-3
2-2	Drive Bracket	2-4
2-3	Drive Locations Inside the BA42 Expander Box	2-5
2-4	Connecting 50-Pin DSSI Signal Cable	2-6
2-5	50-Pin DSSI Signal Cable in the Expander Box	2-7
2-6	Connecting the 5-Pin Power Cable	2-8
2-7	Power Cables for Drives 1 and 4 in the Expander Box	2-9

2-8	Power Cables for Drives 2 and 3 in the Expander Box	2-10
2-9	Connecting the RFP Cable	2-11
2-10	RFP Cables in the Expander Box	2-12
2-11	Inserting an RF3x-EK Hard Disk Drive in the Expander Box	2-13
2-12	Fastening an RF3x-EK Hard Disk Drive in the Expander Box	2-14
2-13	Replacing the Cover on the BA42 Expander	2-15

Tables

1-1	DSSI ID Numbers and Switch Settings for Hard Disk Drives in the Expander Box	1-8
-----	---	-----

Preface

Use this guide to install one or more BA42 DSSI expanders, to add a drive to a BA42 DSSI expander, and to verify that DSSI switches have been set correctly for each drive in a BA42 DSSI expander.

This guide describes the following:

- How to install one or more expanders
- How to install new drives inside BA42 DSSI expanders
- How to make sure the drives inside a BA42 DSSI expander are recognized by the system and what to do if they are not

1

Installing the BA42 DSSI Storage Expander

This chapter covers the following topics:

- Checking the shipment to make sure nothing is broken or missing
- Setting up a BA42 DSSI expander
- Selecting DSSI ID numbers and setting the DSSI ID switches for Digital-supplied hard disk drives installed in the BA42 expander
- Attaching the expander to the system unit
- Attaching one expander to another expander
- Ensuring that the system recognizes the drive or drives inside the expander

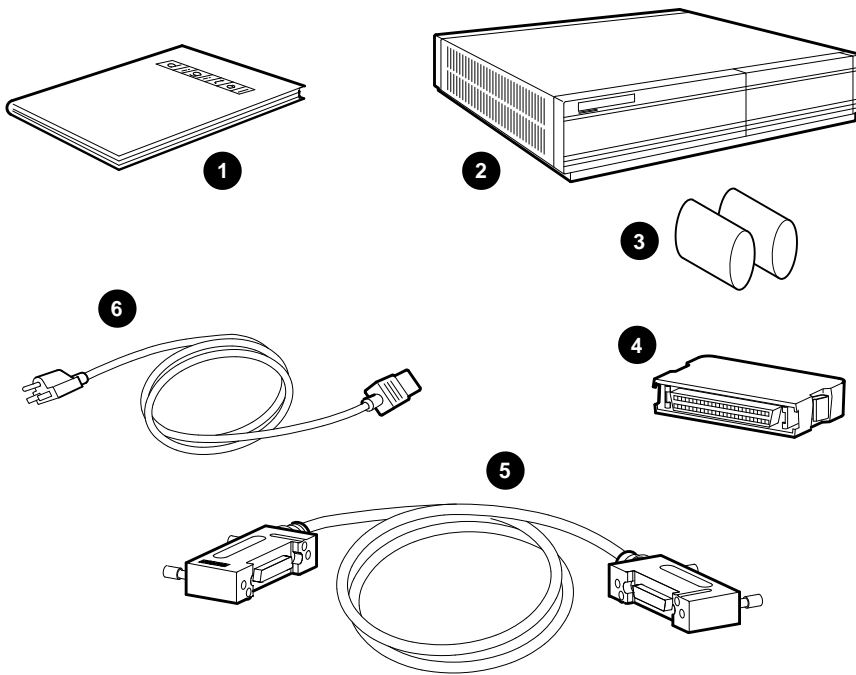
1.1 Checking the Shipment

When you unpack the carton that contains a BA42 DSSI expansion box, you will find all of the items shown in Figure 1–1.

Installing the BA42 DSSI Storage Expander

1.1 Checking the Shipment

Figure 1–1 Parts of a BA42 DSSI Expander Box Shipment



MLO-009778

- ❶ Documentation
- ❷ DSSI expander box
- ❸ Rubber drive shipping bracket supports (up to three)
- ❹ DSSI terminator
- ❺ DSSI cable
- ❻ Power cord (In Europe the power cord may not be included; it is an optional item which may be ordered from a menu.)

Installing the BA42 DSSI Storage Expander
1.2 Setting Up the Expander

1.2 Setting Up the Expander

Warning

It takes two people to unpack and set up a BA42 DSSI expander safely.

Caution

Standing an expander on its side blocks vents and can damage the expander and any drives it contains.

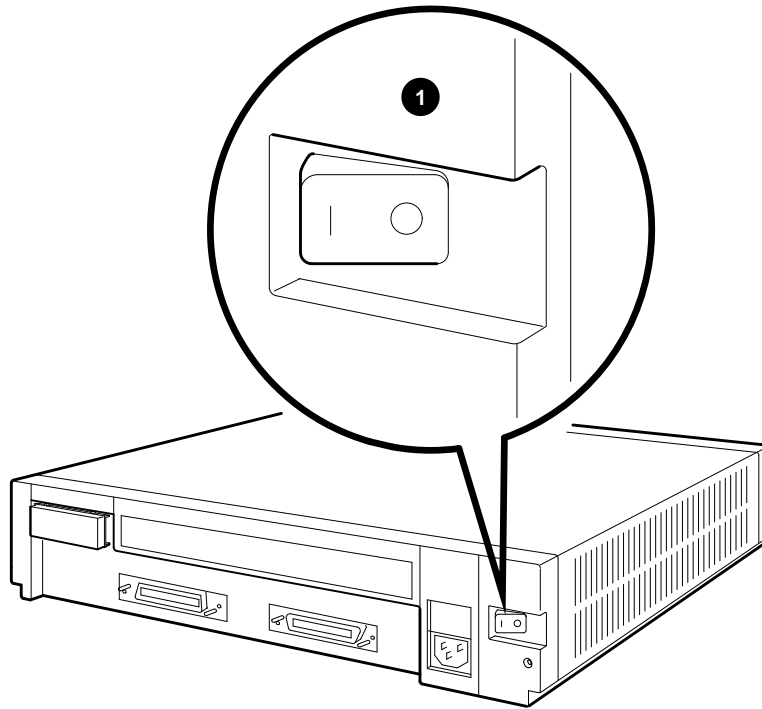
Set up the BA42 DSSI expander on a flat surface as near as possible to the system unit. If you are installing more than one expander, you can stack the boxes on top of each other.

Make sure the on/off switch on the expander is in the off position (see Figure 1-2).

Installing the BA42 DSSI Storage Expander

1.2 Setting Up the Expander

Figure 1–2 On/Off Switch in the Off Position



MLO-009779

❶ On/off switch

1.3 Determining Which DSSI ID Numbers Are Available

A DSSI ID number must be designated for the first drive installed in a BA42 expander; the DSSI IDs for the remainder of the drives in the expander will be set automatically in increments of one, beginning with the number assigned to the first drive.

Numbers that can be used range from 0 to 7 (up to seven DSSI drives can be connected to a given DSSI connector on the system unit); each number may be used only once via that connector. To find out what DSSI ID numbers are available, see the option installation instructions in the installation guide or user's guide for the system.

After determining the DSSI ID number to be assigned to the first drive, use the DSSI ID switches on the rear of the expander box to set the ID to that number (see Section 1.4).

Installing the BA42 DSSI Storage Expander

1.4 Setting DSSI ID Switches for Hard Disk Drives

1.4 Setting DSSI ID Switches for Hard Disk Drives

The DSSI ID switch for hard disk drives installed in a BA42 expander is located on the back of the expander.

If there are one to four hard disk drives preinstalled in your expander, check the DSSI ID switch setting for the first drive and change the setting if necessary. Settings for the remaining hard disks are then automatically incremented.

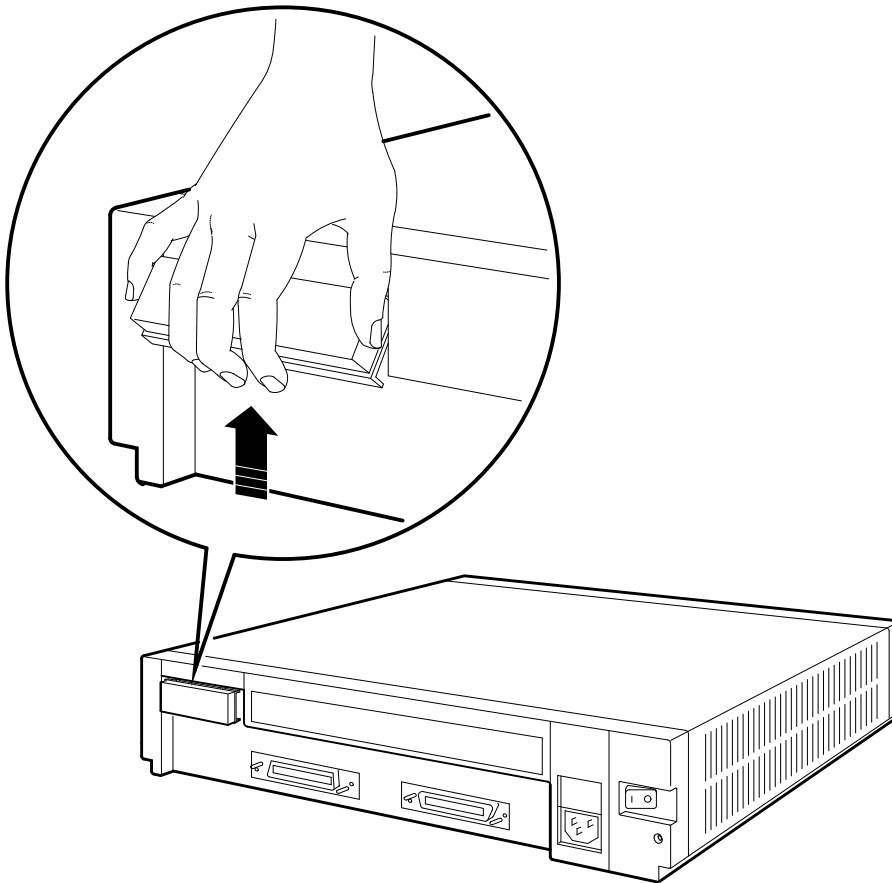
1.4.1 Remove the DSSI ID Switch Cover from the Expander

Access the DSSI ID switches by lifting up and removing the switch cover (see Figure 1-3). Replace the switch cover after checking the switches or the drive indicator LEDs.

Installing the BA42 DSSI Storage Expander

1.4 Setting DSSI ID Switches for Hard Disk Drives

Figure 1–3 Removing the DSSI ID Switch Cover from the Expander



MLO-010020

1.4.2 Check the DSSI ID Switch Setting on the Expander

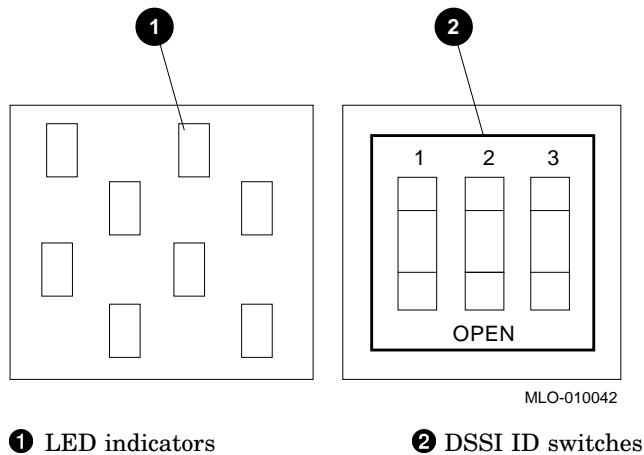
If there is a hard disk drive installed in the expander, the three DSSI ID switches on the back of the box determine the DSSI ID switch setting for the first drive (see Figure 1–4).

The DSSI IDs for additional hard drives are automatically incremented by one as they are added; no further action is necessary.

Installing the BA42 DSSI Storage Expander

1.4 Setting DSSI ID Switches for Hard Disk Drives

Figure 1-4 LED Indicators and DSSI ID Switches for Hard Disk Drives



1.4.3 Change the DSSI ID Switch Settings if Necessary

Normally the three switches are preset at the factory to the ID number zero, with all three switches set to open (down, down, and down). However, if the expander is ordered with a CPU that has storage embedded, the ID of the system disk drive in the CPU is set to zero and the first drive in the expander box is the first available ID outside of the CPU cabinet.

If necessary, use a pen or small pointed object to flip the switches to set the DSSI ID of the first drive to the appropriate number (see Table 1-1).

Installing the BA42 DSSI Storage Expander

1.4 Setting DSSI ID Switches for Hard Disk Drives

Table 1–1 DSSI ID Numbers and Switch Settings for Hard Disk Drives in the Expander Box

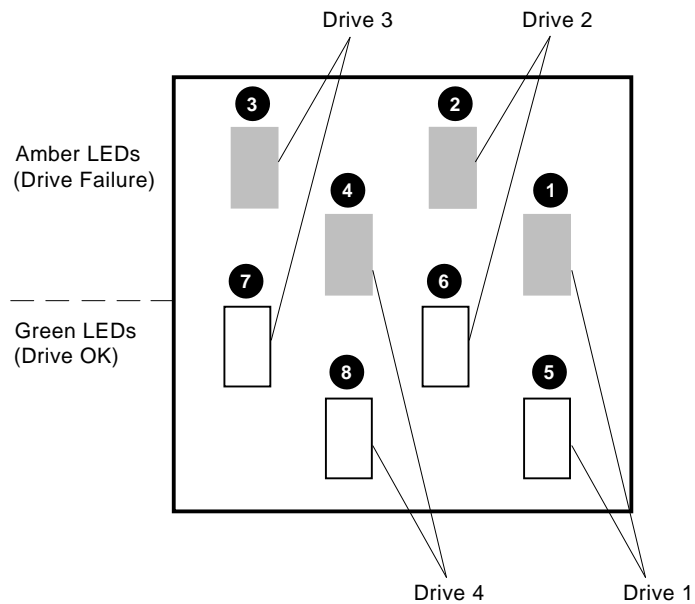
Drive 1	DSSI ID NUMBERS:			Switch Settings		
	Drive 2	Drive 3	Drive 4	Switch 1	Switch 2	Switch 3
0	1	2	3	Down	Down	Down
1	2	3	4	Down	Down	Up
2	3	4	5	Down	Up	Down
3	4	5	6	Down	Up	Up
4	5	6	7	Up	Down	Down
5	6	7	0	Up	Down	Up
6	7	0	1	Up	Up	Down
7	0	1	2	Up	Up	Up

1.5 Drive Indicator Panel

The drive indicator panel is located under the DSSI switch cover (see Figure 1–3). The number of drives present is indicated by one to four green LEDs. The panel also lights one of four amber LEDs to indicate that a particular drive has faulted. See Figure 1–5.

Installing the BA42 DSSI Storage Expander 1.5 Drive Indicator Panel

Figure 1–5 Drive Indicator Panel LEDs



MLO-010043

- ❶ Drive 1 failure indicator (amber LED)
- ❷ Drive 2 failure indicator (amber LED)
- ❸ Drive 3 failure indicator (amber LED)
- ❹ Drive 4 failure indicator (amber LED)
- ❺ Drive 1 OK indicator (green LED)
- ❻ Drive 2 OK indicator (green LED)
- ❼ Drive 3 OK indicator (green LED)
- ❽ Drive 4 OK indicator (green LED)

1.6 Installing an Expander

If you are adding an expander to a system that already has an expander fully installed, turn to Section 1.7.3 for instructions on how to connect one expander to another.

Installing the BA42 DSSI Storage Expander

1.6 Installing an Expander

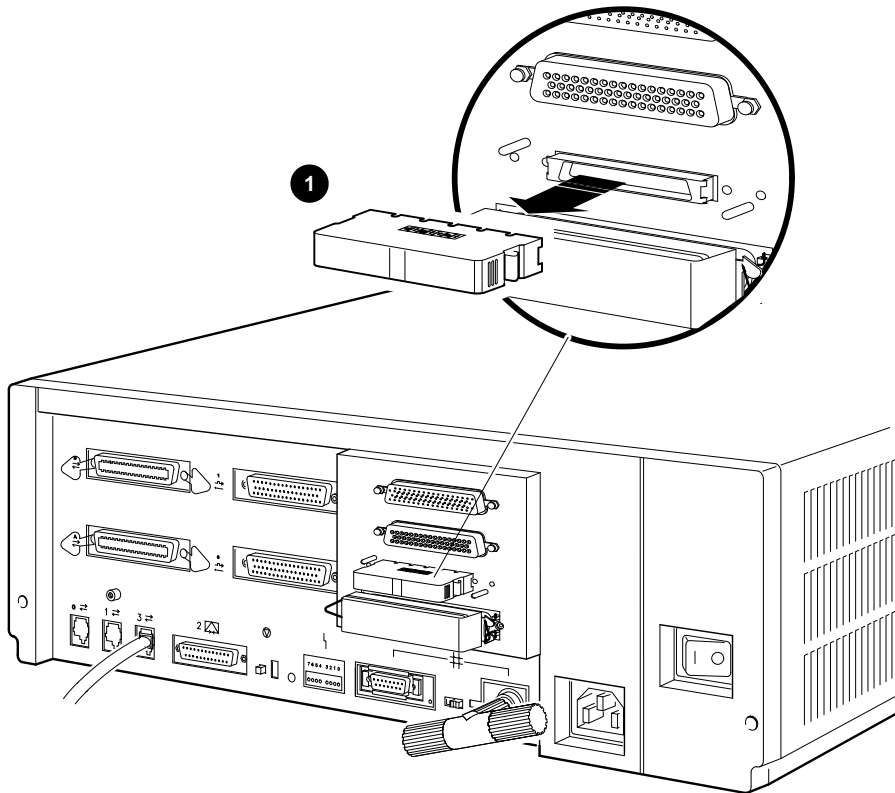
1.6.1 Turn Power Off

Turn off the power first to the monitor and then to the system unit.

1.6.2 Remove the Terminator from the DSSI Connector on the System Unit

If there is a terminator on the DSSI connector on the back of the system unit, remove it by squeezing the release tab on the sides of the terminator and pulling the terminator out of the connector (see Figure 1-6).

Figure 1-6 Removing the DSSI Terminator from the System Unit



MLO-010030

❶ DSSI terminator

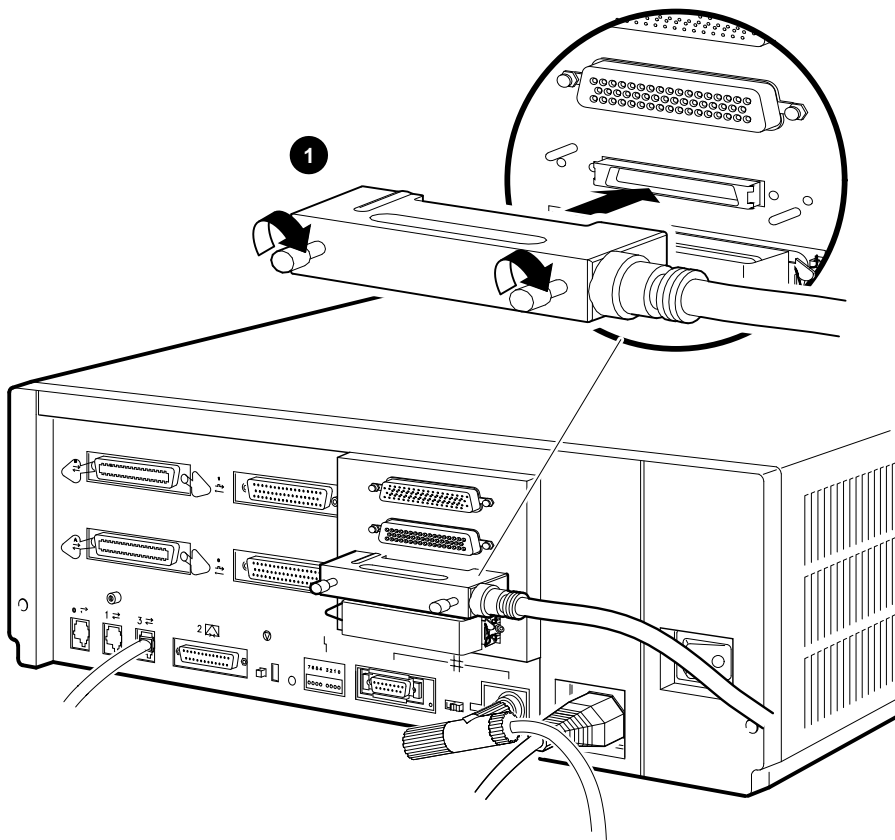
Installing the BA42 DSSI Storage Expander

1.6 Installing an Expander

1.6.3 Connect the DSSI Cable to the System Unit

Figure 1–7 depicts the proper installation of a DSSI cable.

Figure 1–7 Connecting a DSSI Cable to the System Unit



MLO-010029

❶ DSSI cable

Installing the BA42 DSSI Storage Expander

1.6 Installing an Expander

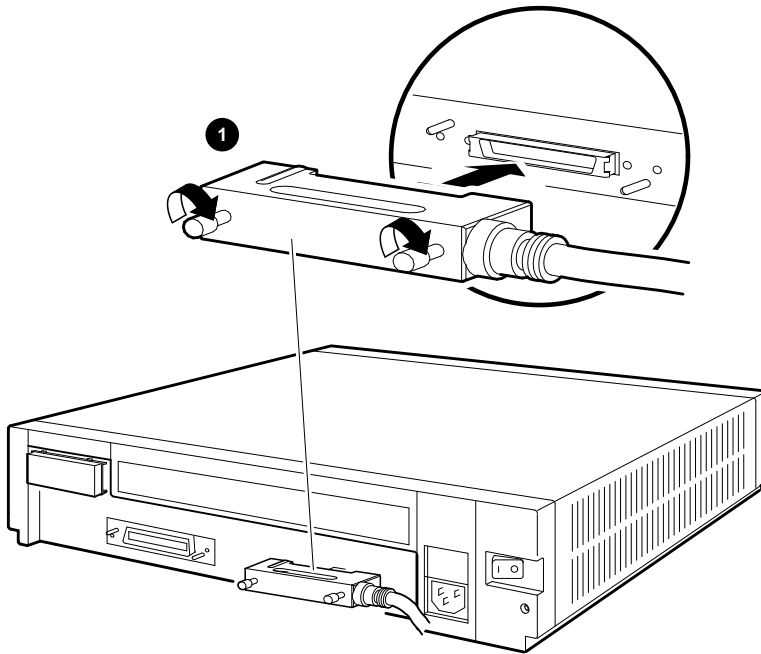
1.6.4 Connect the DSSI Cable to the Expander

Connect the free end of the DSSI cable to one of the connectors on the expander. See Figure 1–8.

If you are installing more than one expander, turn to Section 1.7.3 after connecting the DSSI cable to the first expander.

If you are installing only one box, turn to Section 1.6.5 to connect the terminator.

Figure 1–8 Connecting a DSSI Cable to the Expander



MLO-010022

❶ DSSI cable

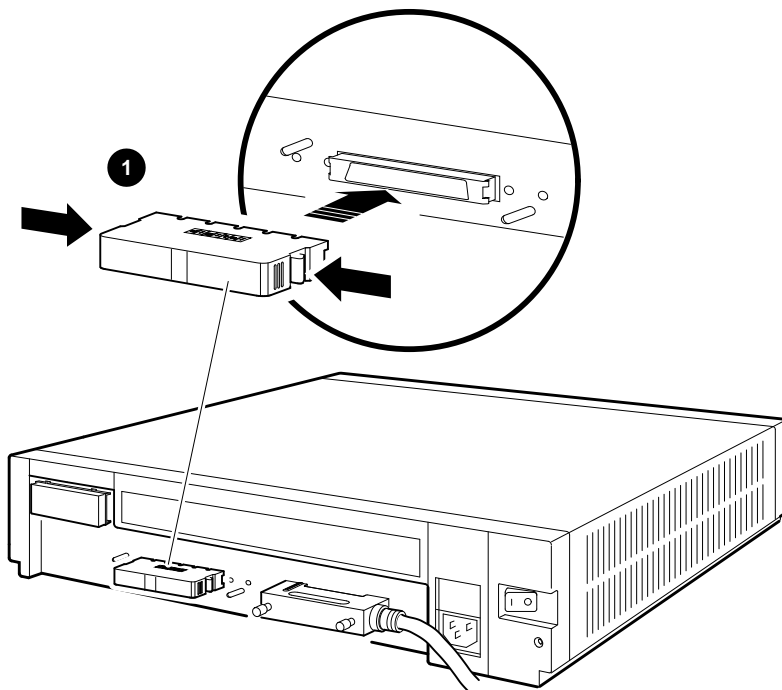
Installing the BA42 DSSI Storage Expander

1.6 Installing an Expander

1.6.5 Connect the Terminator

Connect the terminator to the empty connector on the expander (see Figure 1–9).

Figure 1–9 Connecting a Terminator to the Expander



MLO-010031

❶ DSSI terminator

1.6.6 Connect the Power Cord

Note

Digital suggests that all power cords for the system be plugged into a single source of power, such as a power strip.

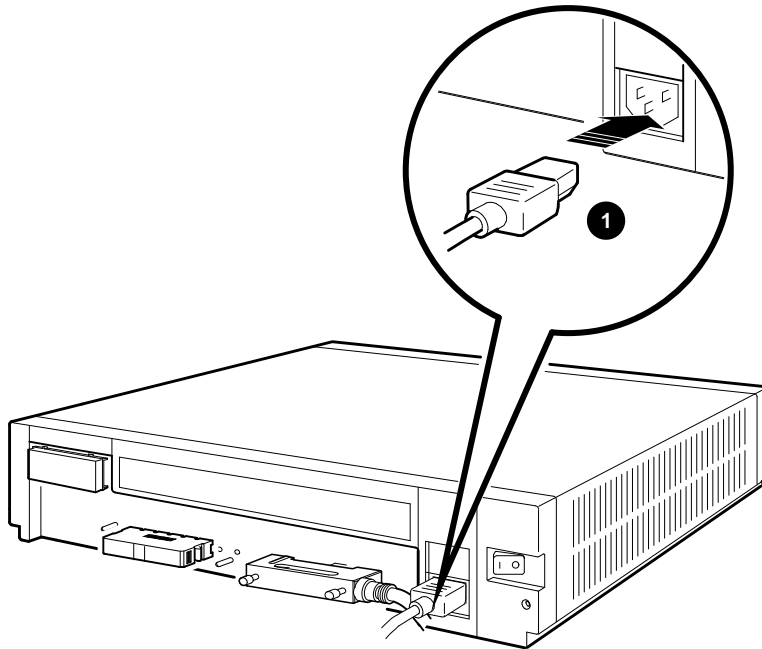
Connect the prongless end of the power cord to the expander and plug the pronged end into a power outlet or power strip (see Figure 1–10).

Installing the BA42 DSSI Storage Expander

1.6 Installing an Expander

After connecting the power cord, turn to Section 1.8 to verify the system configuration.

Figure 1–10 Connecting a Power Cord to an Expander



MLO-010024

❶ Power cord

1.7 Connecting One Expander to Another Expander

This section describes attaching an expander box to a system that already has one or more expander boxes fully installed.

1.7.1 Turn Power Off

Turn off power first to the expanders and then to the system unit.

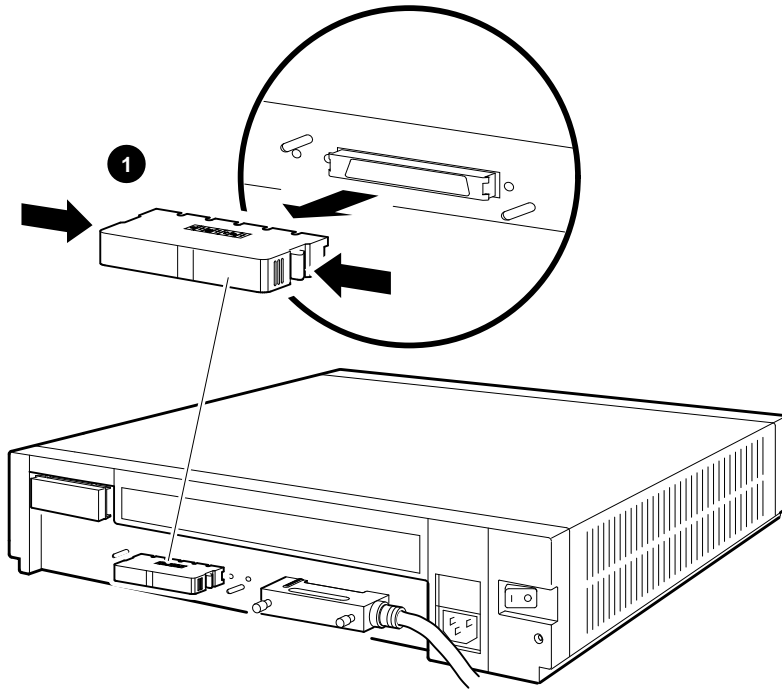
Installing the BA42 DSSI Storage Expander

1.7 Connecting One Expander to Another Expander

1.7.2 Remove the Terminator from the Expander Box

Remove the terminator from the last expander box attached to the DSSI connector on the system unit by squeezing the release tab on the sides of the terminator and pulling the terminator out of the connector (see Figure 1–11).

Figure 1–11 Removing a Terminator from an Expander



MLO-010023

❶ DSSI terminator

1.7.3 Connect the DSSI Expander Cable and Terminator

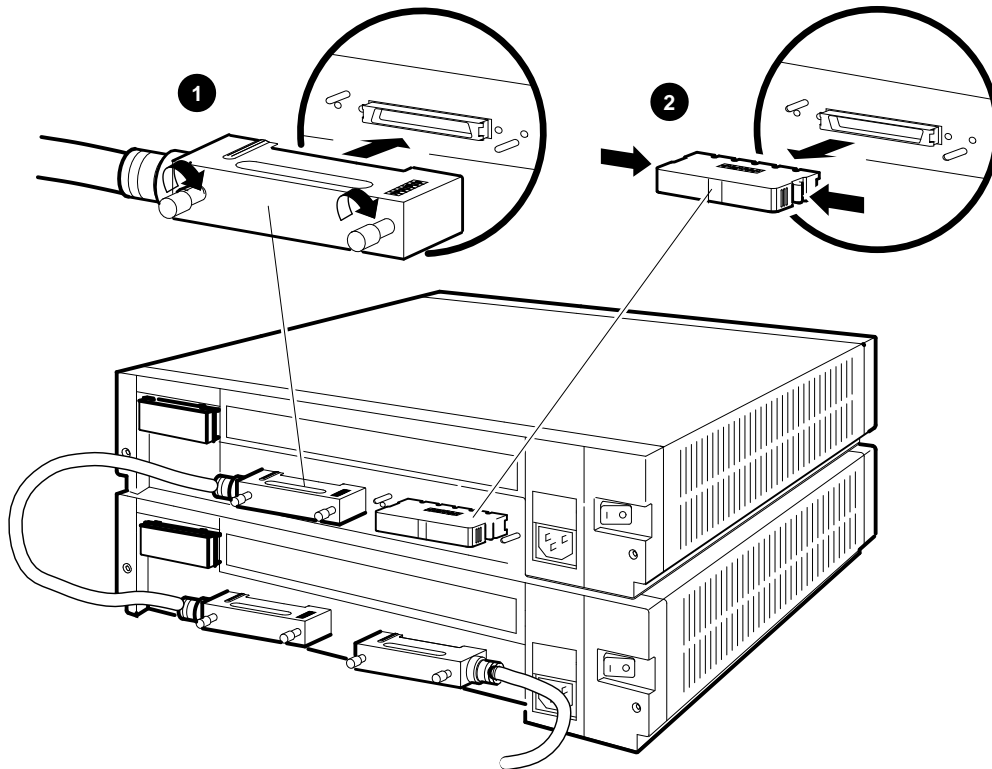
1. Connect the three-foot DSSI expander cable to the empty connector on the last box connected to the system unit.
2. Connect the other end of the cable to the left-hand connector on the box you are installing.
3. Connect the terminator to the empty connector on the final expander box.

Installing the BA42 DSSI Storage Expander

1.7 Connecting One Expander to Another Expander

Figure 1–12 shows how to connect the three-foot DSSI expander cable and the terminator.

Figure 1–12 Connecting the Three-Foot DSSI Cable and Terminator to the Final Expander



MLO-010026

- ❶ Three-foot DSSI cable
- ❷ DSSI terminator

1.7.4 Connect the Power Cords

Note

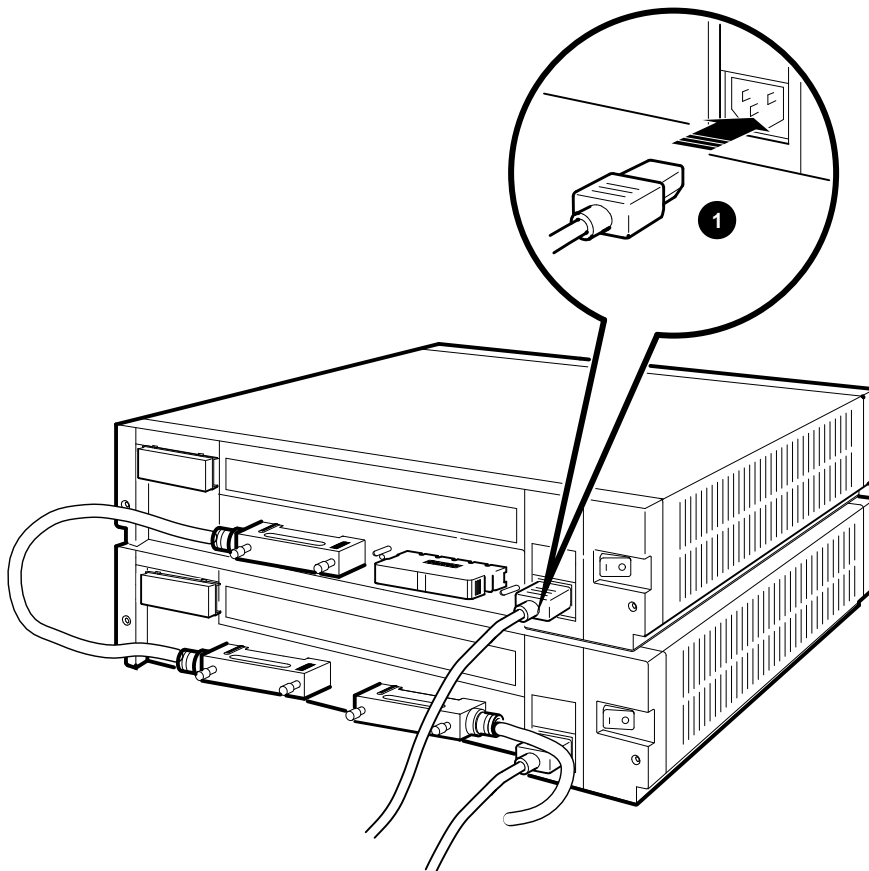
Digital suggests that all power cords for the system be plugged into a single source of power, such as a power strip.

Installing the BA42 DSSI Storage Expander

1.7 Connecting One Expander to Another Expander

Connect the prongless end of a power cord to each expander box and plug the pronged end of each cord into a power outlet or power strip as depicted in Figure 1–13.

Figure 1–13 Connecting Power Cords to Expander Boxes



MLO-010027

1 Power cord

Installing the BA42 DSSI Storage Expander

1.8 Verifying the System Configuration

1.8 Verifying the System Configuration

Use the following section to verify the configuration of the system.

1.8.1 Turn Power On

Turn on the power first to all expansion boxes and then to the system unit.

1.8.2 Check the Configuration Display

The configuration display for the system tells you whether the system recognizes the drives in the expander boxes.

To display and read the system configuration, follow the instructions provided in the hardware installation guide or user's guide that came with the system.

If an expander box drive does not appear in the configuration display, follow this procedure:

1. Press the on/off switch on the expander to be sure the switch is securely in the on position.
2. Turn off the system unit and expander boxes.
3. Be sure all expander box cables are connected securely.
4. Be sure all power cords are connected securely.
5. Be sure the DSSI terminator is attached securely to the expander box.
6. Be sure the internal cables are connected securely to the drive.
7. Check the expander box cable connector for damaged pins.
8. Check the DSSI ID switch settings.
9. Check the drive indicator lights.
10. Turn on all expander boxes and the system unit; then check the configuration display again.
11. If the configuration display still does not show the drives in the expander box, contact the system manager or Digital service representative.

Once DSSI ID switch settings for the hard disk drives installed in the expansion box are recognized by the system, replace the cover on the DSSI ID switch on the back of the expander box by inserting the notch on the bottom of the cover into the opening below the switch on the back of the expander box, and snapping the cover into place.

2

Installing a BA42 Storage Expander Upgrade

Note

Use this chapter in lieu of the Installation Guide, EK-RF31T-IN, supplied with the RF3x-EK option shipment.

This chapter includes the following topics:

- Checking the shipment to make sure nothing is broken or missing
- Installing a hard disk drive inside an expander box

2.1 Checking the Shipment

Note

In addition to the items that make up the shipment, you will need a Phillips screwdriver.

If you ordered an RF3x-EK hard disk drive, the shipment will include in addition to the drive:

- Drive mounting bracket
- Four rubber mounts with integral screws

If any item is broken or missing, contact the system manager or Digital service representative.

Installing a BA42 Storage Expander Upgrade

2.2 Preparing the Expander Box

2.2 Preparing the Expander Box

Caution

To prevent damage to equipment, take the following precautions:

- Only qualified service personnel should remove the cover or install drives.
 - Static electricity can damage integrated circuits. Always use a grounded wrist strap and a grounded work surface (29–26246) when working with the internal parts of a computer system.
 - Shut down the operating system in an orderly fashion before you remove or install drives; the procedures in this document assume that the operating system has been shut down first.
 - Turn off the system power before you remove or install drives (see Section 2.2.1).
-

Prepare the expander box for the addition of a drive:

1. Turn off all power (Section 2.2.1).
2. Remove the cover (Section 2.2.2).

2.2.1 Turn Power Off

Turn off power first to all expander boxes, then to the system unit, and remove the power cord from the expander box to be upgraded.

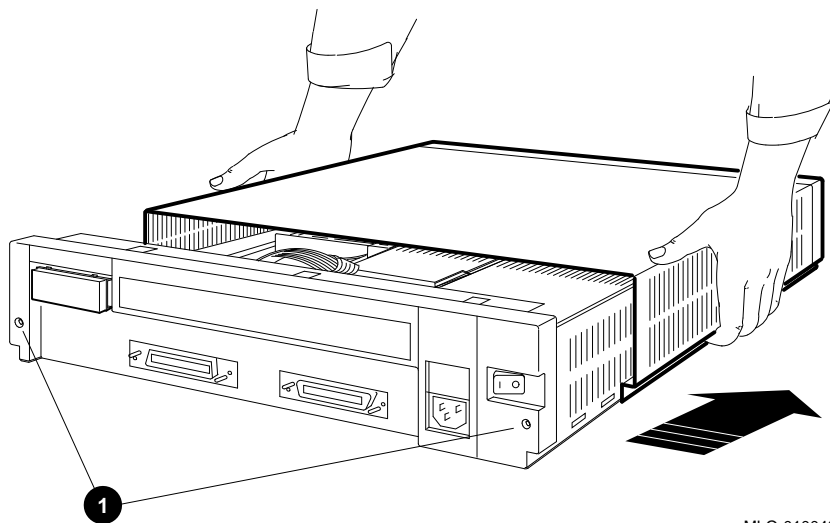
2.2.2 Remove the Cover from the Expander Box

Loosen the two cover release screws on the back of the expander. Grasp each side of the cover and pull it toward you (see Figure 2–1). Then pull the cover up and away from the box.

Installing a BA42 Storage Expander Upgrade

2.2 Preparing the Expander Box

Figure 2–1 Removing the Cover from the Expander Box



MLO-010048

- ❶ Cover release screws

2.3 Installing an RF3x-EK Hard Disk Drive

These are the general steps to install a hard disk drive in the BA42 expander box:

- Attach the drive bracket and shock isolator rubber feet (see Section 2.3.1).
- Determine the appropriate location (see Section 2.3.2).
- Connect the DSSI signal cable (see Section 2.3.3).
- Connect the power cable (see Section 2.3.4).
- Connect the Remote Front Panel (RFP) cable (see Section 2.3.5).
- Install the drive in the expander box (see Section 2.3.6).

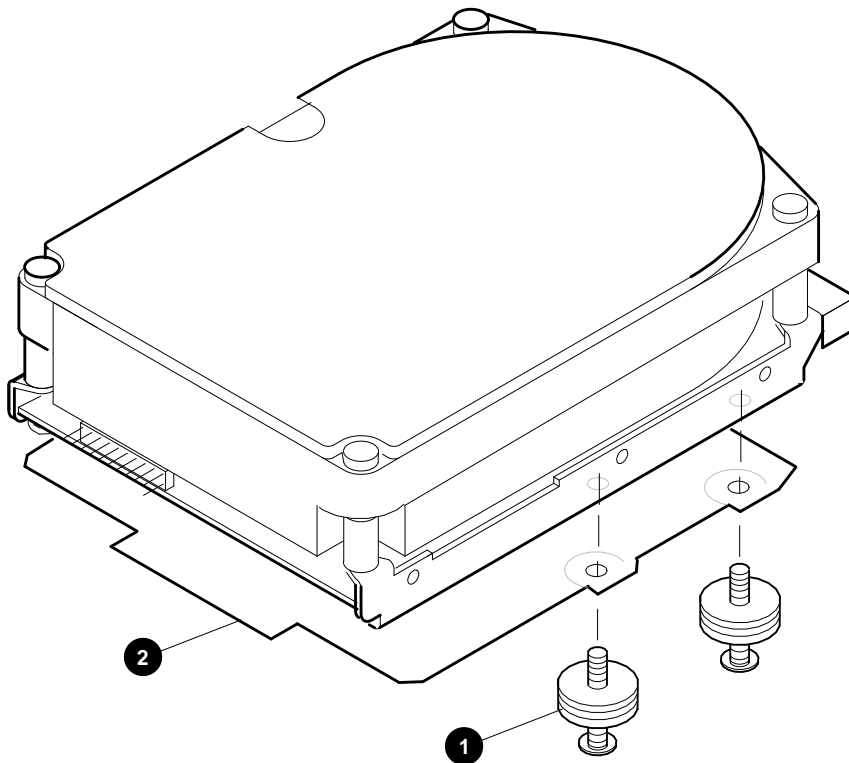
Installing a BA42 Storage Expander Upgrade

2.3 Installing an RF3x-EK Hard Disk Drive

2.3.1 Attach the Drive Bracket and Shock Isolator Rubber Feet

Using a Phillips screwdriver, attach the drive bracket and four shock isolator rubber feet to the drive as shown in Figure 2–2.

Figure 2–2 Drive Bracket



MLO-010045

- ❶ Shock isolator rubber foot
- ❷ Drive bracket

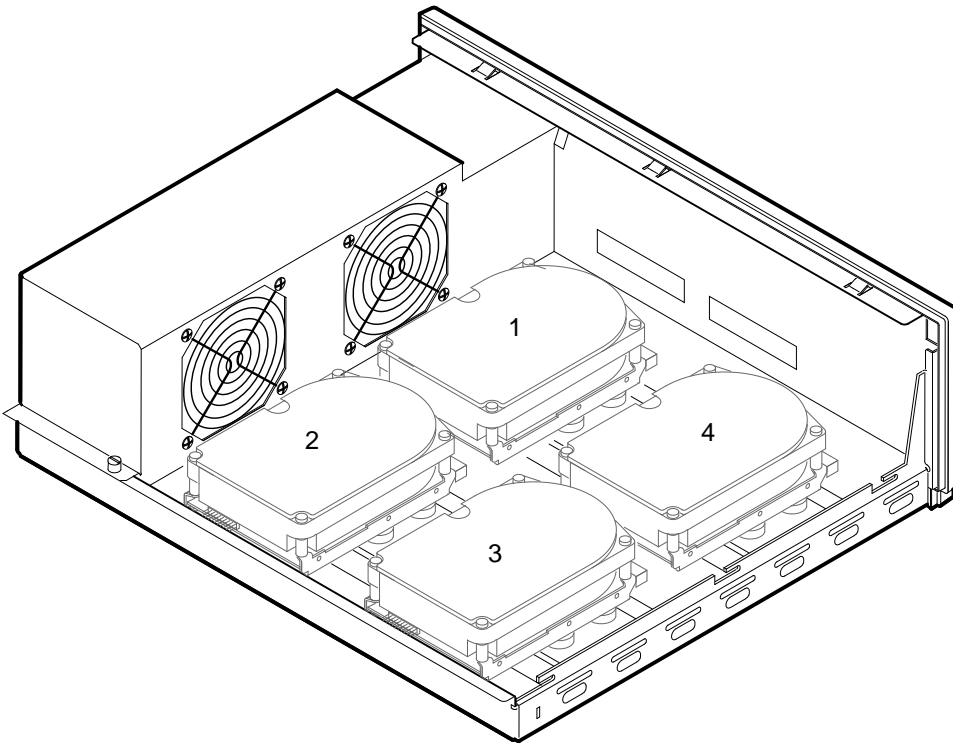
Installing a BA42 Storage Expander Upgrade

2.3 Installing an RF3x-EK Hard Disk Drive

2.3.2 Determine the Drive Location

Each RF3x-EK hard disk drive must be placed in a specific location within the BA42 expander box. Figure 2-3 shows the appropriate location for the first and all subsequent drives.

Figure 2-3 Drive Locations Inside the BA42 Expander Box



MLO-010032

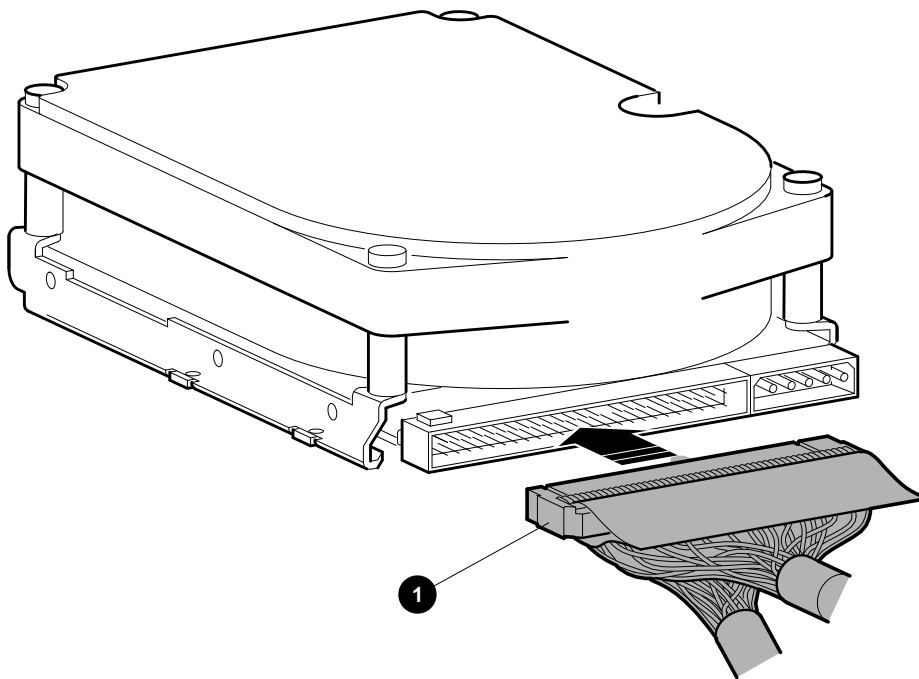
2.3.3 Connect the 50-Pin DSSI Cable

Connect the appropriate 50-pin DSSI connector to the drive (see Figure 2-4). The keyed tab on the bottom of the connector slides into the corresponding slot on the drive. The drive must only be attached to the DSSI signal cable with the appropriate connector for that drive (see Figure 2-5 to determine which connector to use for each drive).

Installing a BA42 Storage Expander Upgrade

2.3 Installing an RF3x-EK Hard Disk Drive

Figure 2-4 Connecting 50-Pin DSSI Signal Cable

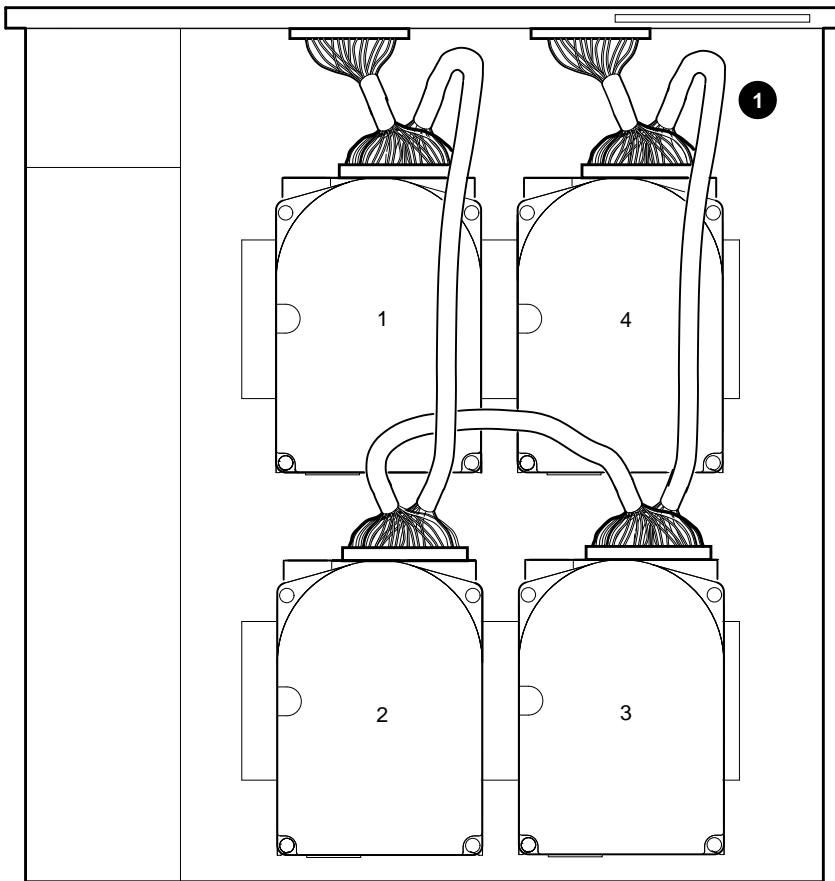


MLO-010034

- 1 Signal cable

Installing a BA42 Storage Expander Upgrade
2.3 Installing an RF3x-EK Hard Disk Drive

Figure 2-5 50-Pin DSSI Signal Cable in the Expander Box



MLO-010035

- 1 Signal cable

Installing a BA42 Storage Expander Upgrade

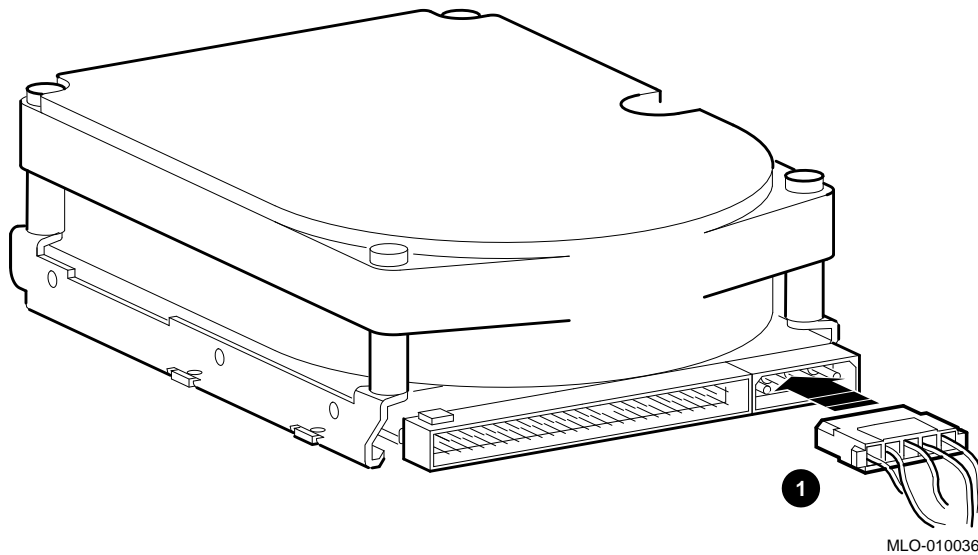
2.3 Installing an RF3x-EK Hard Disk Drive

2.3.4 Connect the 5-Pin Power Cable

Connect the appropriate 5-pin power connector to the drive. The keyed tab on top of the connector slides into the corresponding slot on the drive, as shown in Figure 2–6. The drive must only be attached to the power cable with the appropriate connector for that drive (see Figure 2–7 and Figure 2–8 to determine which connector to use for each drive).

The connections to the Remote Front Panel (RFP) detailed in Figure 2–7 and Figure 2–8 will already be in place; they are included here as an aid in troubleshooting.

Figure 2–6 Connecting the 5-Pin Power Cable



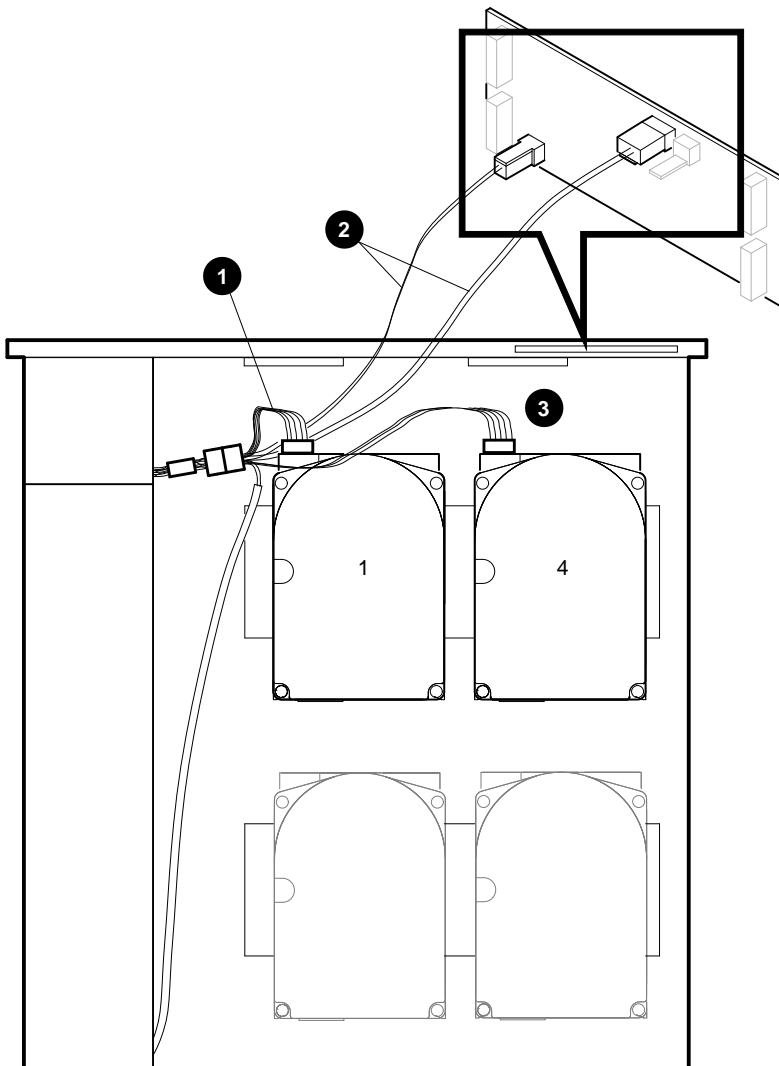
MLO-010036

❶ Power cable

Installing a BA42 Storage Expander Upgrade

2.3 Installing an RF3x-EK Hard Disk Drive

Figure 2-7 Power Cables for Drives 1 and 4 in the Expander Box



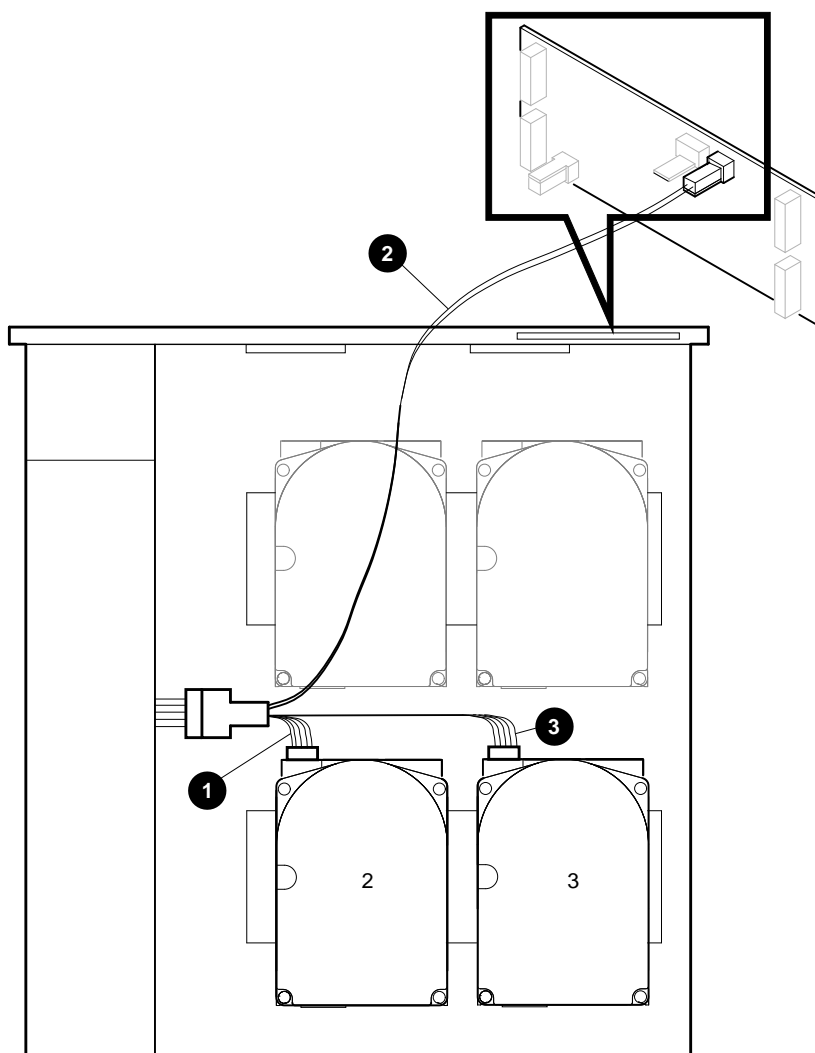
MLO-010037

- ❶ Drive 1 power cable
- ❷ RFP connectors
- ❸ Drive 4 power cable

Installing a BA42 Storage Expander Upgrade

2.3 Installing an RF3x-EK Hard Disk Drive

Figure 2–8 Power Cables for Drives 2 and 3 in the Expander Box



MLO-010038

- ❶ Drive 2 power cable
- ❷ RFP connector
- ❸ Drive 3 power cable

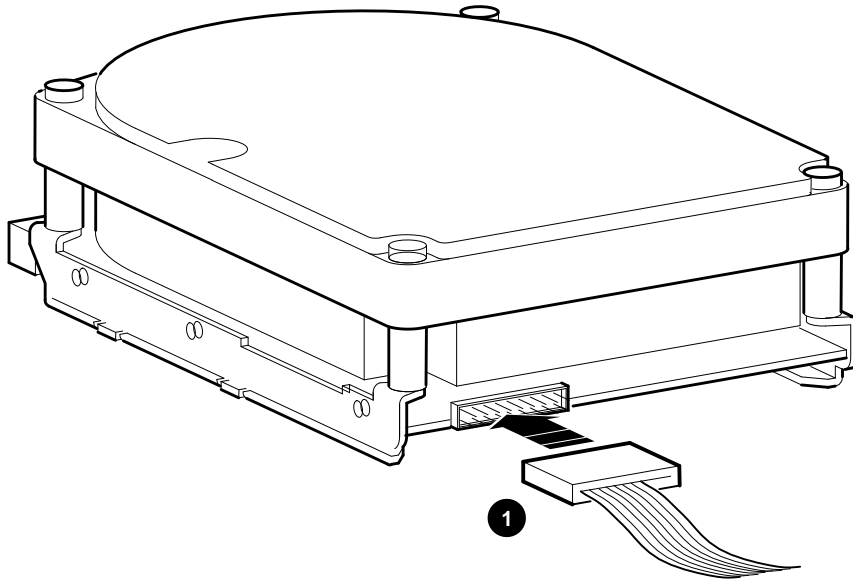
Installing a BA42 Storage Expander Upgrade

2.3 Installing an RF3x-EK Hard Disk Drive

2.3.5 Connect the 12-Pin RFP Cable

The Remote Front Panel cables will already be in place on the RFP. Attach the appropriate RFP cable to the drive. The cable is attached so that it extends downward from the drive as shown in Figure 2–9. The drive must only be attached to the appropriate RFP cable for that drive (see Figure 2–10 to determine which cable to use for each drive).

Figure 2–9 Connecting the RFP Cable



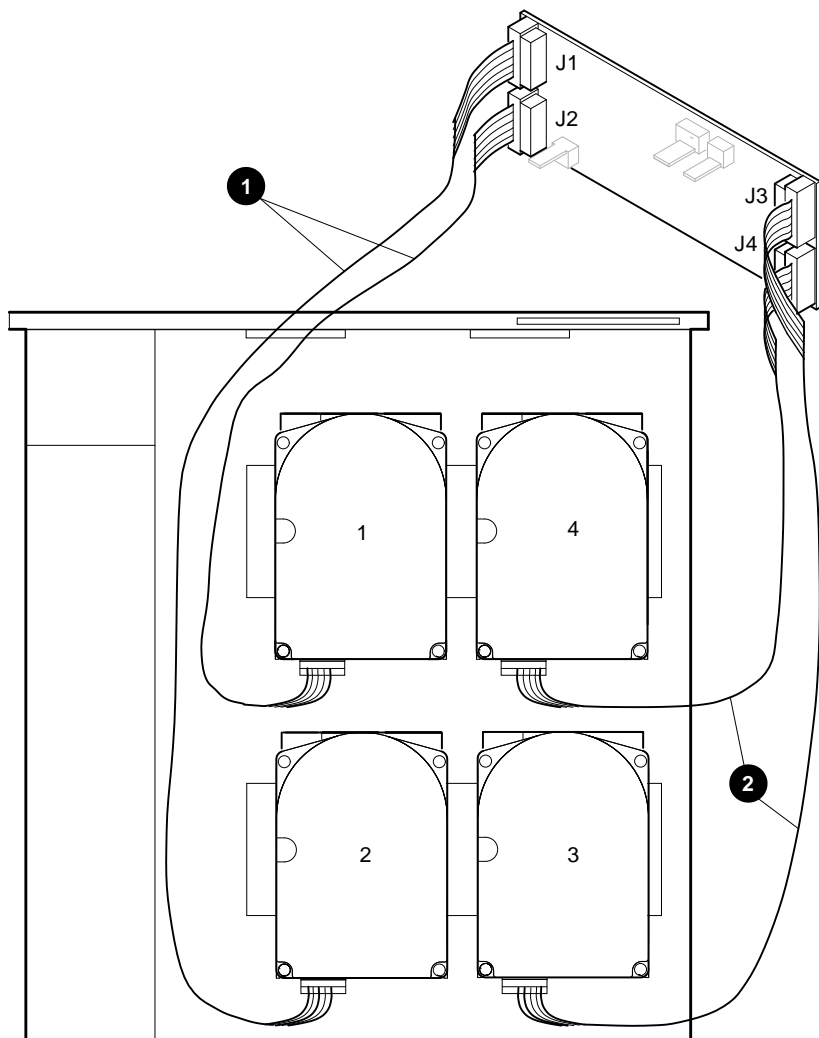
MLO-010039

❶ RFP cable

Installing a BA42 Storage Expander Upgrade

2.3 Installing an RF3x-EK Hard Disk Drive

Figure 2-10 RFP Cables in the Expander Box



MLO-010040

- ❶ RFP cables for drives 1 and 2
- ❷ RFP cables for drives 4 and 3

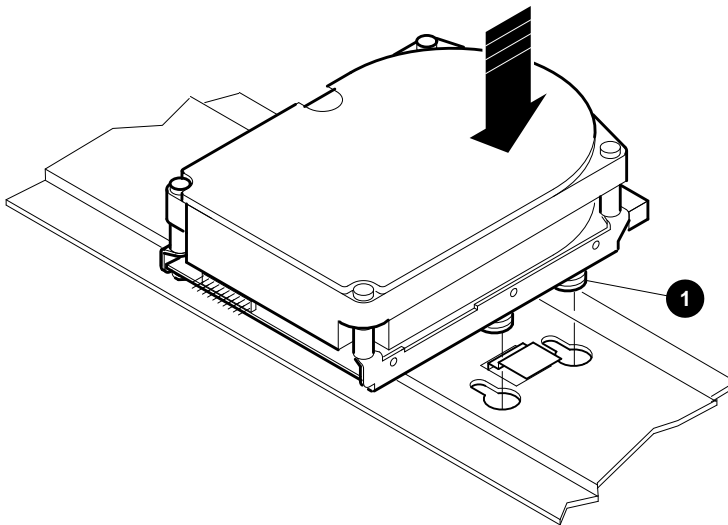
Installing a BA42 Storage Expander Upgrade

2.3 Installing an RF3x-EK Hard Disk Drive

2.3.6 Install the Drive in the Expander Box

Tilt the drive until you can place the shock isolator rubber feet on the bottom of the drive into the four keyhole-shaped openings in the floor of the box. See Figure 2–11.

Figure 2–11 Inserting an RF3x-EK Hard Disk Drive in the Expander Box



MLO-010046

① Shock isolator rubber foot

Slide the drive toward the small end of the keyhole-shaped openings so that the slots on the shock isolator rubber feet engage the hole, and the metal spring tab on the expander box floor fits into the appropriate slot on the drive bracket (see Figure 2–12).

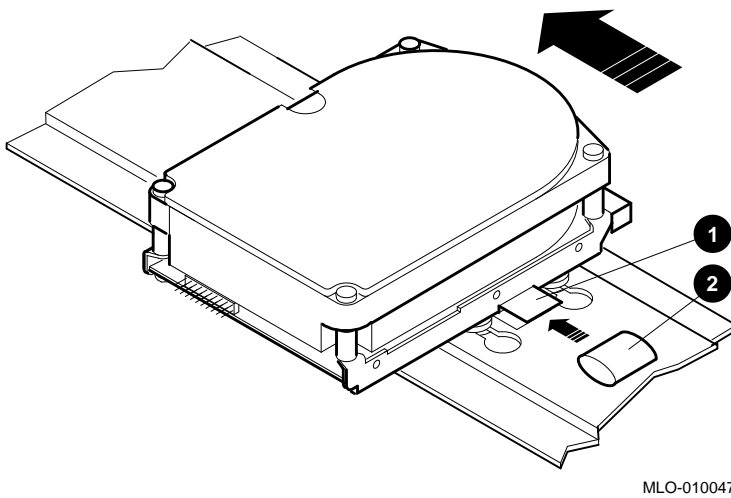
Note

Support is required if the expander box is to be shipped or moved; in that case, insert a rubber drive shipping bracket support (shown in Figure 2–12) into the metal retaining slot for each drive.

Installing a BA42 Storage Expander Upgrade

2.3 Installing an RF3x-EK Hard Disk Drive

Figure 2–12 Fastening an RF3x-EK Hard Disk Drive in the Expander Box



- ❶ Metal spring tab
- ❷ Rubber drive shipping bracket support

2.3.7 Replace the Cover on the Expander Box

Position the cover so it rests on top of the box about 3 inches short of the back of the box. Move the cover straight toward the back of the box until it slips into place (see Figure 2–13). Tighten the two cover release screws on the back of the box and plug in the power cord.

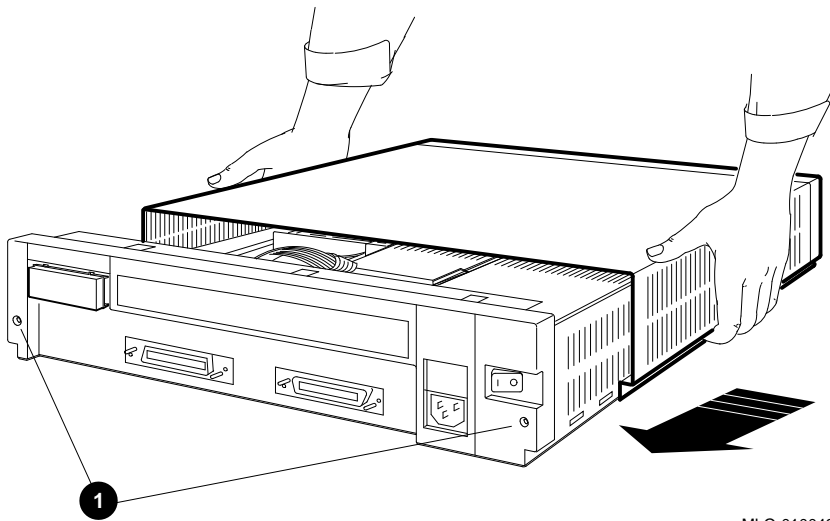
Caution

Make sure the internal cables are pushed down into the box before replacing the cover. Closing the cover on the cables may damage the cables.

Installing a BA42 Storage Expander Upgrade

2.3 Installing an RF3x-EK Hard Disk Drive

Figure 2–13 Replacing the Cover on the BA42 Expander



MLO-010049

- 1 Cover release screws

2.4 DSSI ID Switch Settings

The three DSSI ID switches on the back of the box determine the DSSI ID switch setting for the first drive (see Section 1.4).

The DSSI IDs for additional hard drives are automatically incremented by one as the drives are added and brought on line; no further action is necessary. To verify the system configuration, see Section 1.8.

Reader's Comments

BA42 DSSI Expander Installation Manual
EK-BA42C-IN. A01

Your comments and suggestions help us improve the quality of our publications.

Please rate the manual in the following categories:

	Excellent	Good	Fair	Poor
Accuracy (product works as described)	<input type="checkbox"/>	<input type="checkbox"/>	<input type="checkbox"/>	<input type="checkbox"/>
Completeness (enough information)	<input type="checkbox"/>	<input type="checkbox"/>	<input type="checkbox"/>	<input type="checkbox"/>
Clarity (easy to understand)	<input type="checkbox"/>	<input type="checkbox"/>	<input type="checkbox"/>	<input type="checkbox"/>
Organization (structure of subject matter)	<input type="checkbox"/>	<input type="checkbox"/>	<input type="checkbox"/>	<input type="checkbox"/>
Figures (useful)	<input type="checkbox"/>	<input type="checkbox"/>	<input type="checkbox"/>	<input type="checkbox"/>
Examples (useful)	<input type="checkbox"/>	<input type="checkbox"/>	<input type="checkbox"/>	<input type="checkbox"/>
Table of contents (ability to find topic)	<input type="checkbox"/>	<input type="checkbox"/>	<input type="checkbox"/>	<input type="checkbox"/>
Index (ability to find topic)	<input type="checkbox"/>	<input type="checkbox"/>	<input type="checkbox"/>	<input type="checkbox"/>
Page design (overall appearance)	<input type="checkbox"/>	<input type="checkbox"/>	<input type="checkbox"/>	<input type="checkbox"/>
Print quality	<input type="checkbox"/>	<input type="checkbox"/>	<input type="checkbox"/>	<input type="checkbox"/>

What I like best about this manual: _____

What I like least about this manual: _____

Additional comments or suggestions: _____

I found the following errors in this manual:

Page	Description
------	-------------

For which tasks did you use this manual?

Installation

Maintenance

Marketing

Operation/Use

Programming

System Management

Training

Other (please specify) _____

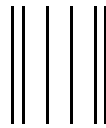
Name/Title _____

Company _____

Address _____

Do Not Tear - Fold Here and Tape

digital



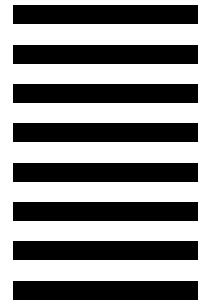
NO POSTAGE
NECESSARY
IF MAILED
IN THE
UNITED STATES

BUSINESS REPLY MAIL

FIRST CLASS PERMIT NO. 33 MAYNARD MASS.

POSTAGE WILL BE PAID BY ADDRESSEE

**DIGITAL EQUIPMENT CORPORATION
INFORMATION DESIGN AND CONSULTING
PKO3-1/D30
129 PARKER STREET
MAYNARD, MA 01754-9975**



Do Not Tear - Fold Here and Tape